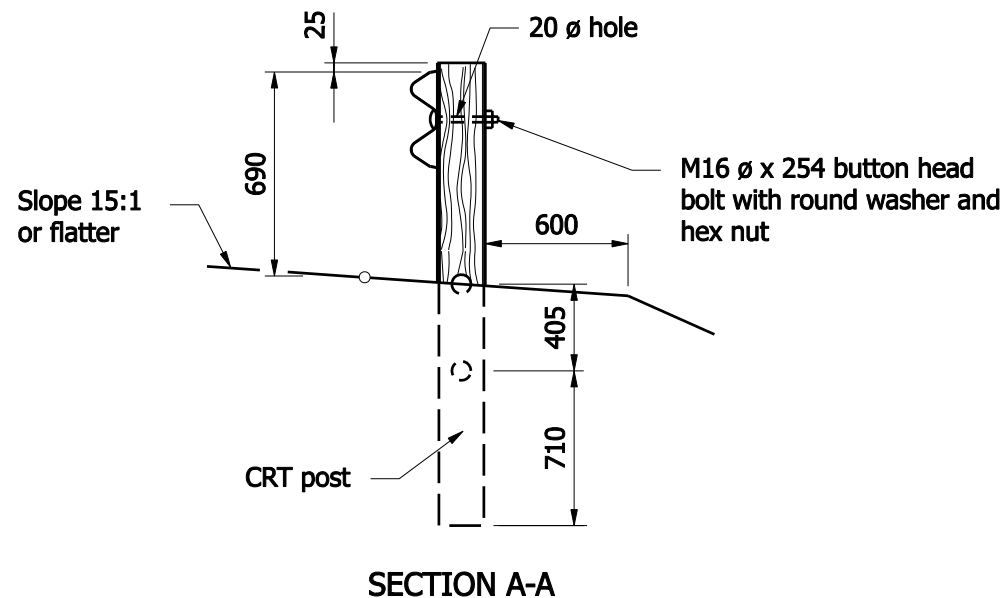
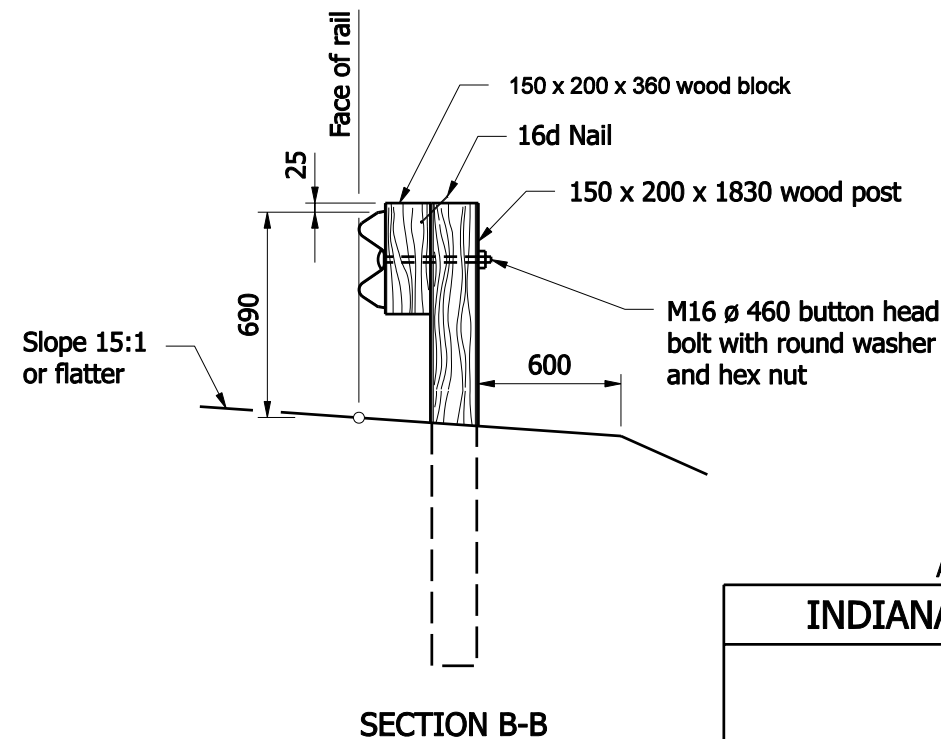


TABLE CWGS-2		
RADIUS	NO. OF CRT POSTS	REQUIRED AREA FREE OF FIXED OBJECTS L x W
2590	5	7620 x 4570
5180	6	9140 x 4570
7770	8	12190 x 6100
10670	11	15240 x 6100

See Standard Drawing 601-CWGS-03 for General Notes.



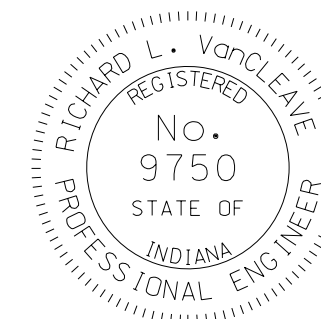
All Dimensions are in mm unless otherwise specified.

INDIANA DEPARTMENT OF TRANSPORTATION

CURVED W-BEAM  
GUARDRAIL SYSTEM

SEPTEMBER 2008

STANDARD DRAWING NO. 601-CWGS-02



DESIGN STANDARDS ENGINEER

*/s/ Richard L. VanCleave* 09/02/08  
DESIGN STANDARDS ENGINEER DATE

*/s/ Mark A. Miller* 09/02/08  
CHIEF HIGHWAY ENGINEER DATE