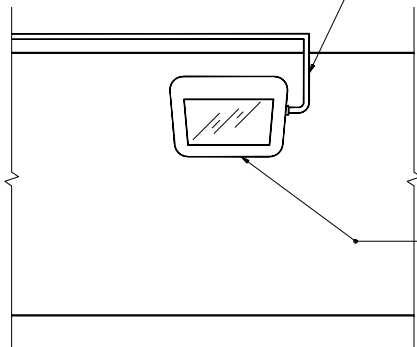
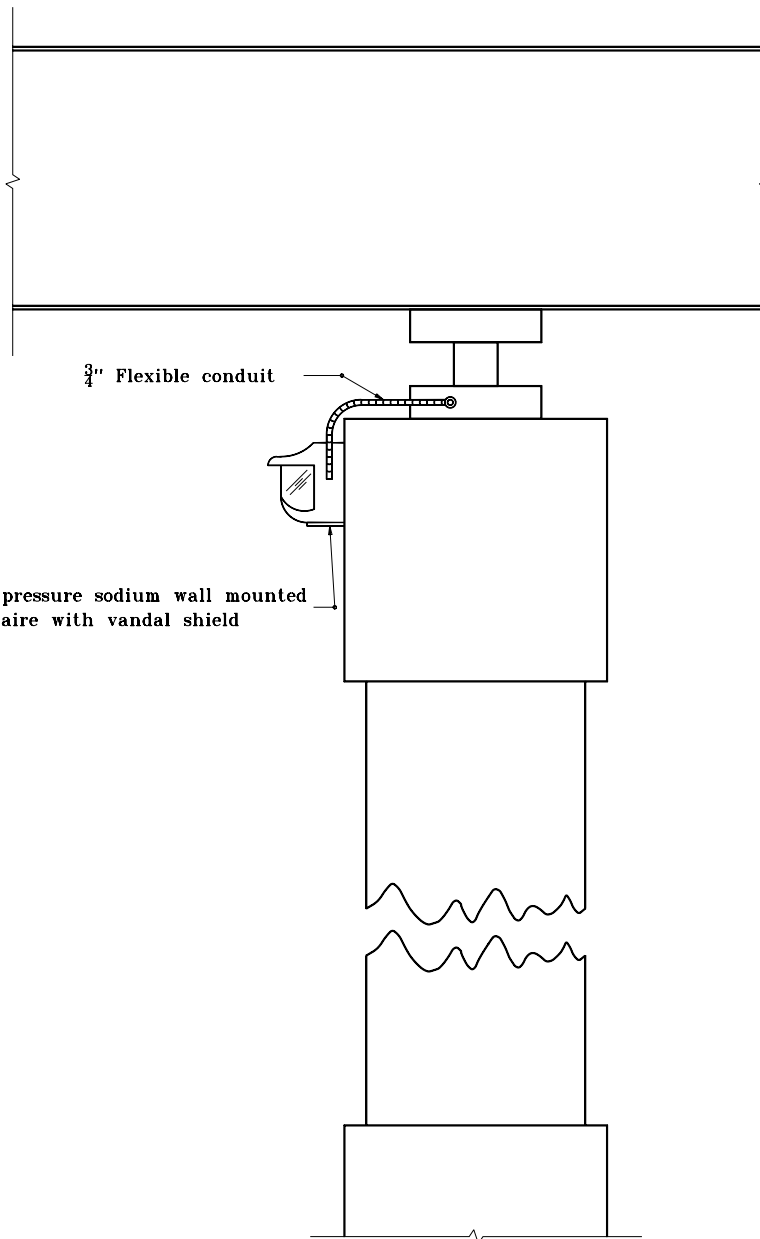


Conduit shall enter underpass luminaire from the side, except for pendant mounting

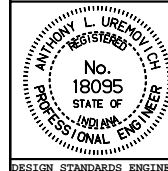


High pressure sodium wall mounted luminaire with vandal shield



INDIANA DEPARTMENT OF TRANSPORTATION  
**UNDERPASS LIGHTING DETAILS**  
**WALL MOUNTING**  
 MARCH 1995

STANDARD DRAWING NO. **E 807-LTUP-03**



DETAILS PLACED IN THIS FORMAT 7-27-99

*/s/ Anthony L. Uremovich* 7-27-99  
 DESIGN STANDARDS ENGINEER DATE

*/s/ Firooz Zandi* 7-27-99  
 CHIEF HIGHWAY ENGINEER DATE

DESIGN STANDARDS ENGINEER

ORIGINALLY APPROVED 3-01-95