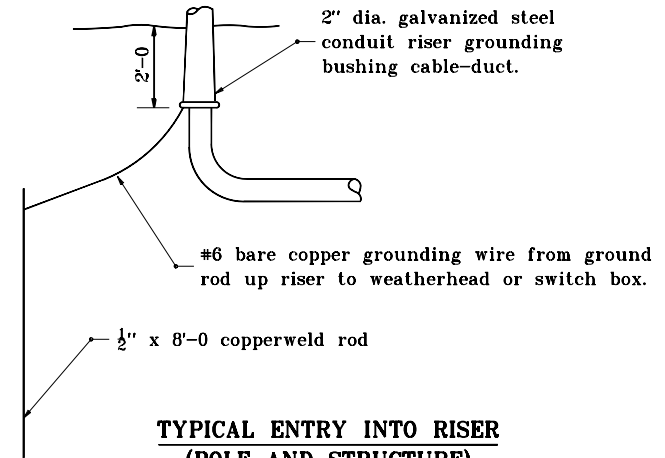
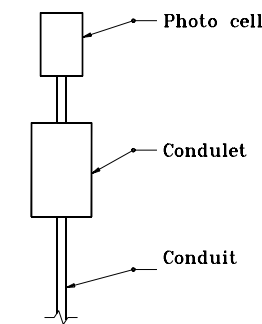


**SERVICE POINT  
TYPE I**



**TYPICAL ENTRY INTO RISER  
(POLE AND STRUCTURE)**

**DETAIL B**



**DETAIL C**

|  |   |
|--|---|
| INDIANA DEPARTMENT OF TRANSPORTATION   |   |
| LIGHT SERVICE POINT DETAILS            |   |
| SEPTEMBER 1998                         |   |
| STANDARD DRAWING NO. E 807-LTSP-01     |   |
| DETAILS PLACED IN THIS FORMAT 11-15-99 |   |
|  | /s/ Anthony L. Uremovich 11-15-99<br>DESIGN STANDARDS ENGINEER DATE |
|  | /s/ Firooz Zandi 11-15-99<br>CHIEF HIGHWAY ENGINEER DATE            |
|  | ORIGINALLY APPROVED 9-01-98   |