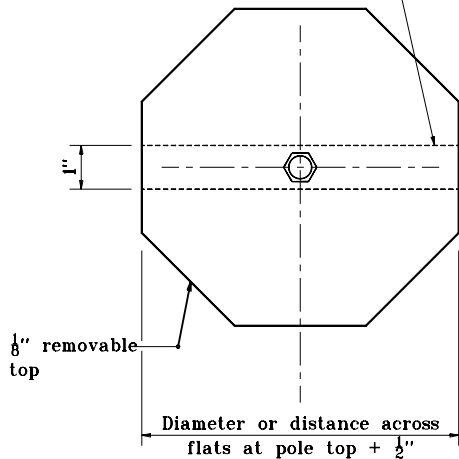
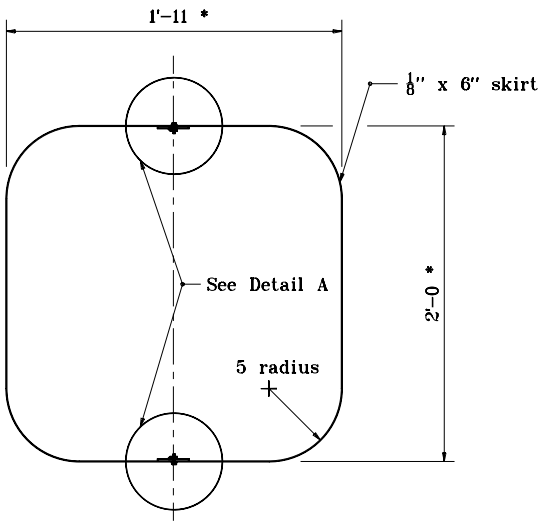


Bar to be welded to inside of pole  
 $\frac{1}{4}$  in x 1 in. with  $\frac{3}{8}$  in.  
 $\frac{3}{8}$ " threaded hole

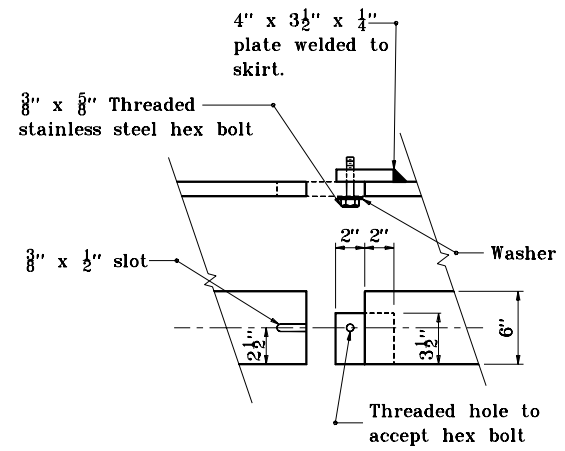


**TOP COVER**

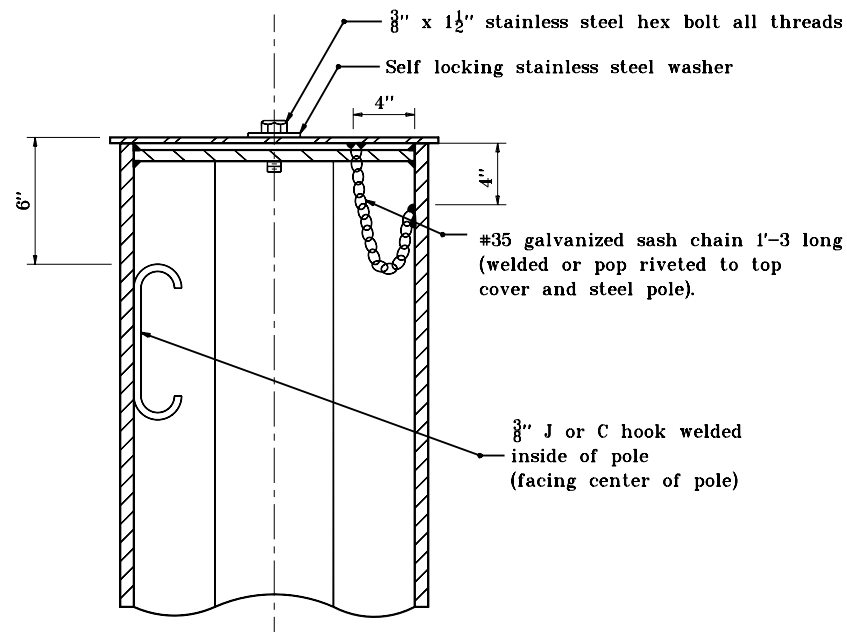


\* Inside dimension

**METAL SKIRT (BASE PLATE)**



**DETAIL A**



INDIANA DEPARTMENT OF TRANSPORTATION	
TOP COVER AND METAL SKIRT OF SIGNAL STEEL STRAIN POLE	
MARCH 1995	
STANDARD DRAWING NO. E 805-SGSP-02	
DETAILS PLACED IN THIS FORMAT 11-15-99	
	/s/ Anthony L. Uremovich 11-15-99 <small>DESIGN STANDARDS ENGINEER DATE</small>
	/s/ Firooz Zandi 11-15-99 <small>CHIEF HIGHWAY ENGINEER DATE</small>
	ORIGINALLY APPROVED 3-01-95