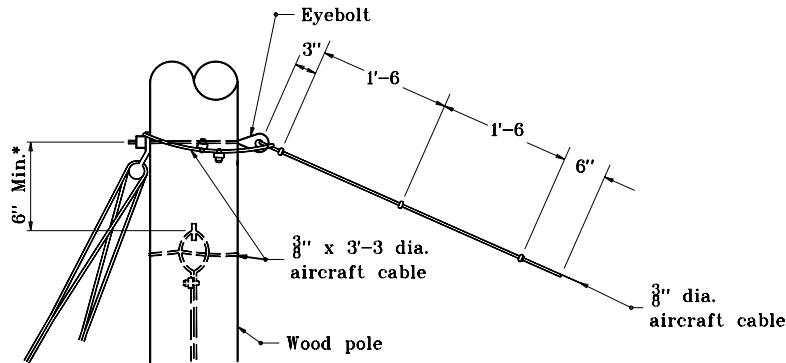
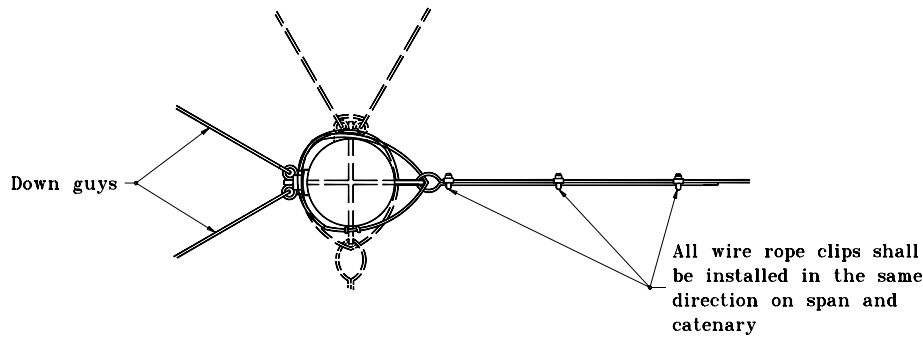


SPAN-HEAD ATTACHMENT

GENERAL NOTES

1. Installation is the same for steel strain poles except pole bands will be used.
2. Aircraft cable shall use a heavy closed wire rope thimble at contact with pole bands.



SAFETY CABLE AND EYE BOLT DETAIL

* If more than one catenary is attached to pole

INDIANA DEPARTMENT OF TRANSPORTATION	
CABLE SPAN ATTACHMENT	
SEPTEMBER 1998	
STANDARD DRAWING NO. E 805-SGSC-03	
	DETAILS PLACED IN THIS FORMAT 11-15-99
/s/ Anthony L. Uremovich DESIGN STANDARDS ENGINEER	11-15-99 DATE
/s/ Firooz Zandi CHIEF HIGHWAY ENGINEER	11-15-99 DATE
DESIGN STANDARDS ENGINEER	ORIGINALLY APPROVED 9-01-98