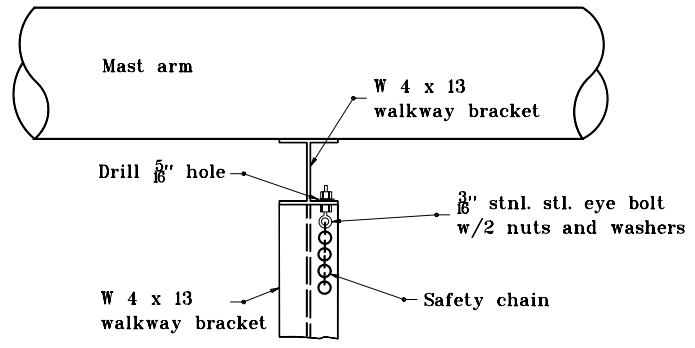


DETAIL A



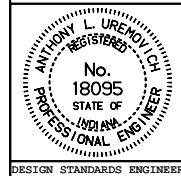
DETAIL B

INDIANA DEPARTMENT OF TRANSPORTATION

SIGN WALKWAY DETAILS

SEPTEMBER 2001

STANDARD DRAWING NO.E 802-SNWW-08



/s/ Anthony L. Uremovich 9-04-01  
DESIGN STANDARDS ENGINEER DATE

/s/ Firooz Zandi 9-04-01  
CHIEF HIGHWAY ENGINEER DATE

DESIGN STANDARDS ENGINEER