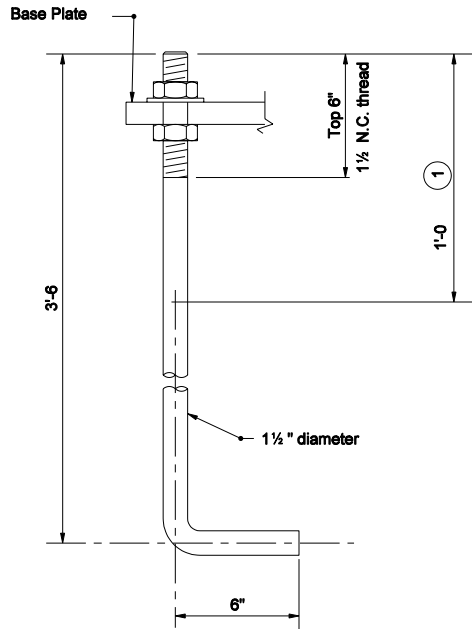
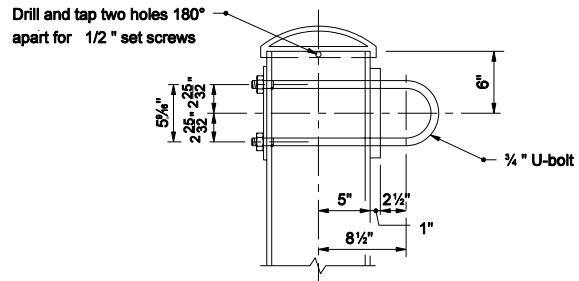


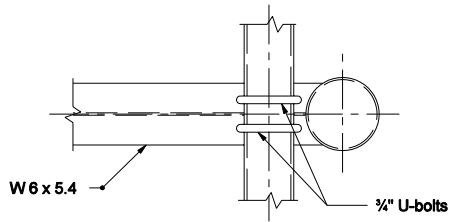
**3/4 IN. STAINLESS STEEL U-BOLT DETAIL**



**ANCHOR BOLT DETAIL**



**UPPER CHORD CONNECTION DETAIL**



**LOWER CHORD CONNECTION DETAIL**

**NOTES:**

- ① After threading, coat or mechanically galvanize as required.

INDIANA DEPARTMENT OF TRANSPORTATION	
<b>ALUMINUM STRUCTURE BOLT DETAILS</b>	
MARCH 2004	
STANDARD DRAWING NO. E 802-SNOH-06	
	/s/ Richard L. VanCleave      3-01-04 DESIGN STANDARDS ENGINEER      DATE
	/s/ Richard K. Smutzer      3-01-04 CHIEF HIGHWAY ENGINEER      DATE
DESIGN STANDARDS ENGINEER	