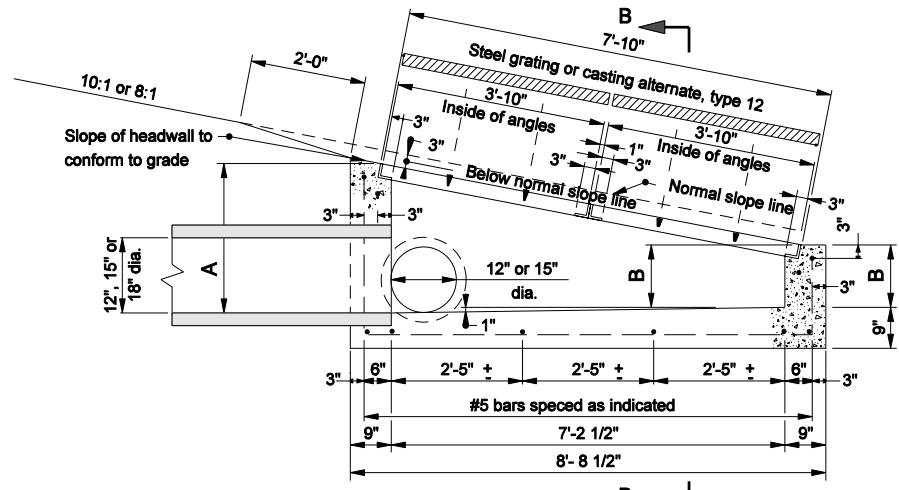
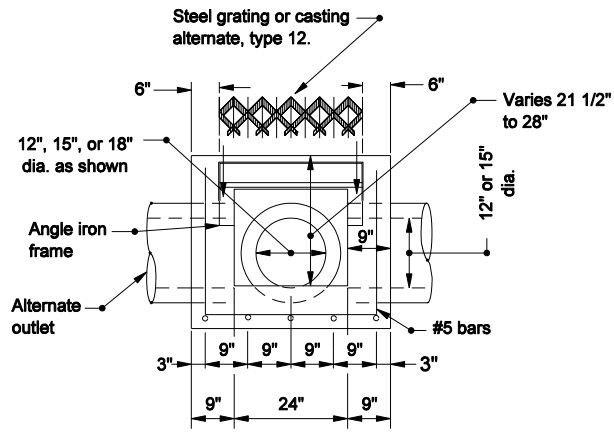


**SECTION A-A**  
Showing Grate Slope of 6:1



**SECTION A-A**  
Showing Grate Slope of 8:1 or 10:1

TYPE N INLET						
PIPE SIZE	6:1		8:1		10:1	
	A	B	A	B	A	B
12"	21 1/2"	5"	21 1/2"	8 7/8"	21 1/2"	11 1/8"
15"	24 3/4"	8 1/4"	24 3/4"	12 1/8"	24 3/4"	14 3/8"
18"	28"	11 1/2"	28"	15 3/8"	28"	17 5/8"



**SECTION B-B**

INDIANA DEPARTMENT OF TRANSPORTATION

**INLET TYPE N**

SEPTEMBER 2005

STANDARD DRAWING NO. E 720-INST-08

	/s/ Richard L. VanCleave	9-01-05
	DESIGN STANDARDS ENGINEER	DATE
	/s/ Richard K. Smutzer	9-01-05
DESIGN STANDARDS ENGINEER	CHIEF HIGHWAY ENGINEER	DATE