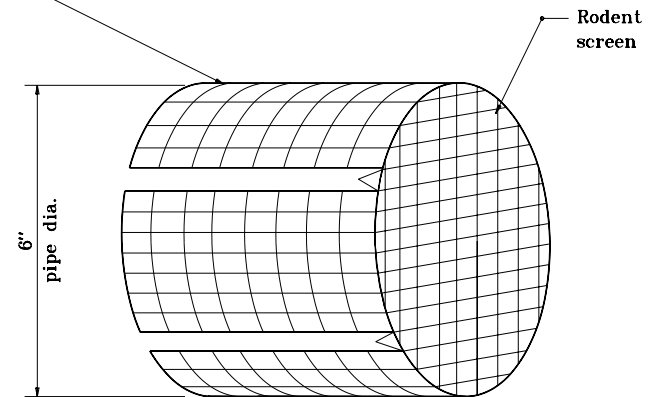


Mesh size = 3 openings per 1"
Wire dia. = 0.072"



INDIANA DEPARTMENT OF TRANSPORTATION	
OUTLET PROTECTOR RODENT SCREEN	
JANUARY 2000	
STANDARD DRAWING NO. E 718-UNDR-06	
	/s/ Anthony L. Uremovich 1-03-00 <small>DESIGN STANDARDS ENGINEER DATE</small>
	/s/ Firooz Zandi 1-03-00 <small>CHIEF HIGHWAY ENGINEER DATE</small>
<small>DESIGN STANDARDS ENGINEER</small>	