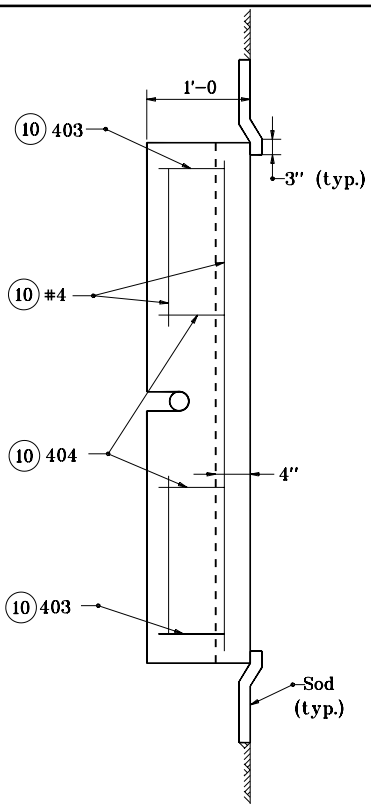
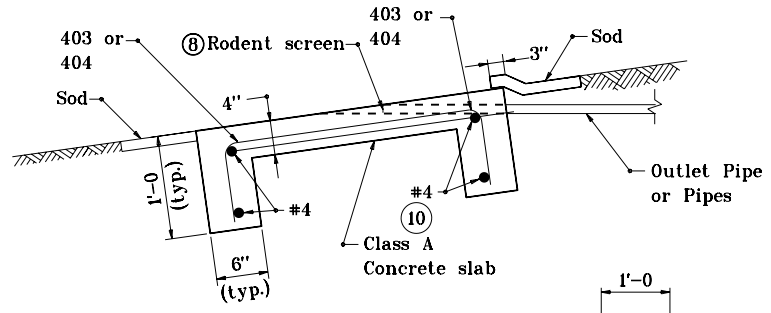


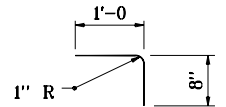
PLAN VIEW



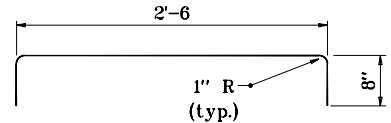
SECTION C-C



TYPICAL SECTION



404 x 1'-8



403 x 3'-10

NOTE:

1. See Standard Drawing E 718-UNDR-07 for General Notes pertaining to this sheet.

INDIANA DEPARTMENT OF TRANSPORTATION	
OUTLET PROTECTOR, TYPE 3	
JANUARY 2000	
STANDARD DRAWING NO. E 718-UNDR-05	
	/s/ Anthony L. Uremovich 1-03-00 DESIGN STANDARDS ENGINEER DATE
	/s/ Donald W. Lucas 1-03-00 CHIEF HIGHWAY ENGINEER DATE
DESIGN STANDARDS ENGINEER	