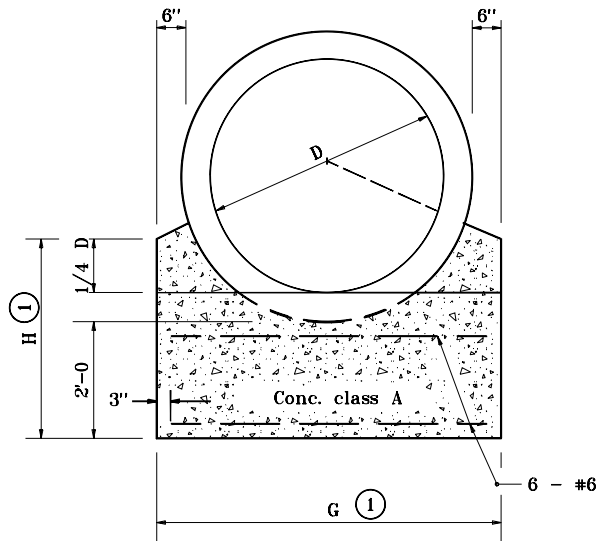
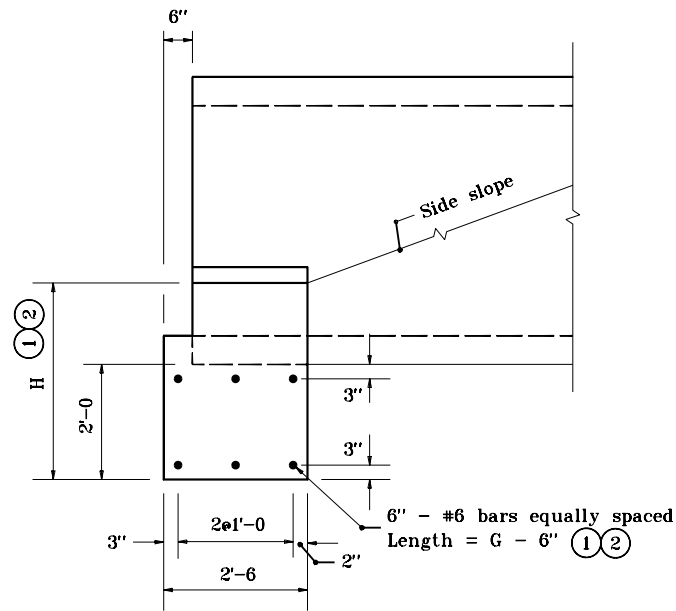


GENERAL NOTES

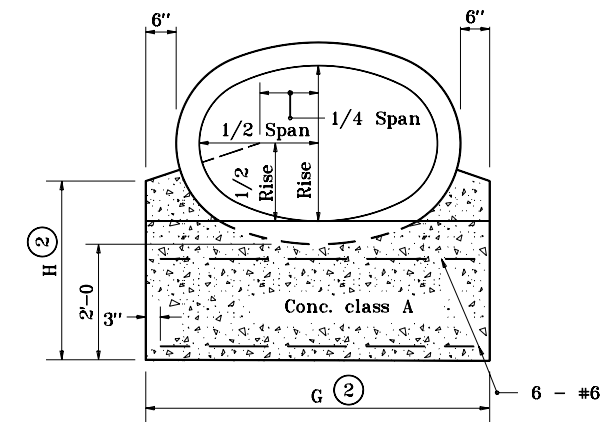
- ① For dimension or enter chart on Standard Drawing E 715-ANCH-01 with known dimension D.
- ② For dimensions, enter chart on Standard Drawing E 715-ANCH-02 with known span and rise.
3. Riprap shall be placed at the ends of pipe structures when shown on plans.



**ANCHOR FOR
REINFORCED CONCRETE PIPE
FRONT ELEVATION**



SIDE ELEVATION



**ANCHOR FOR
REINFORCED CONCRETE HORIZONTAL ELLIPTICAL PIPE
FRONT ELEVATION**

INDIANA DEPARTMENT OF TRANSPORTATION	
SINGLE PIPE CONCRETE ANCHOR	
JANUARY 1998	
STANDARD DRAWING NO. E 715-SPCA-02	
DETAILS PLACED IN THIS FORMAT 7-27-99	
	/s/ Anthony L. Uremovich 7-27-99 DESIGN STANDARDS ENGINEER DATE
	/s/ Firooz Zandi 7-27-99 CHIEF HIGHWAY ENGINEER DATE
DESIGN STANDARDS ENGINEER	ORIGINALLY APPROVED 1-02-98