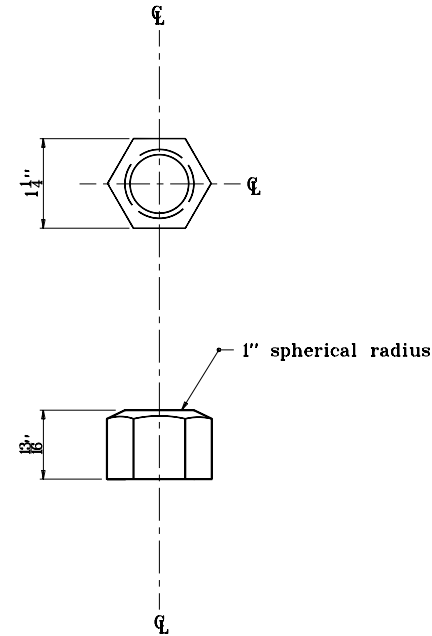
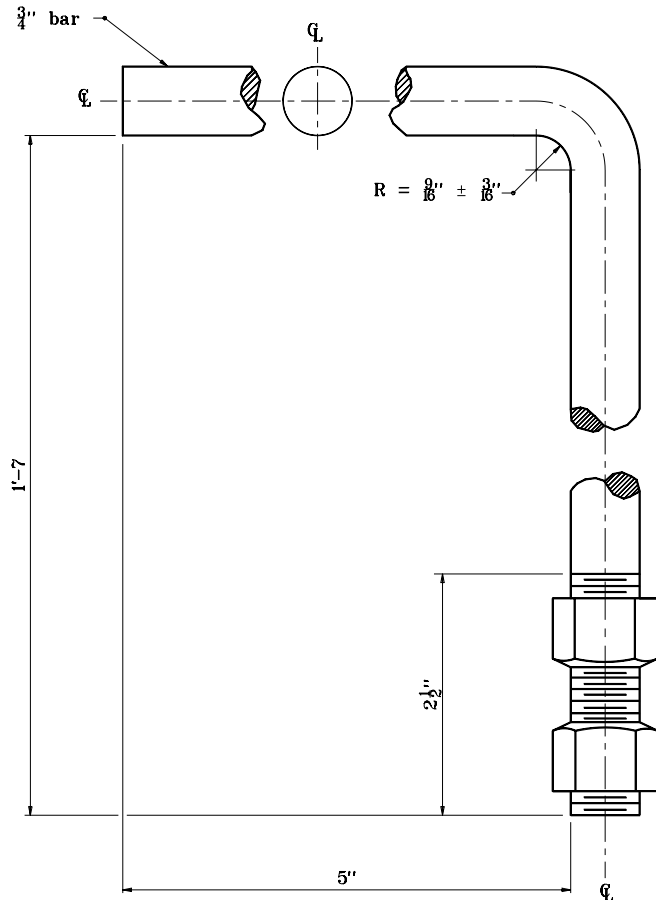


GENERAL NOTES

1. Hook bolts and anchor straps shall be used at both upstream and downstream ends of all C.A., C.S., and structural plate pipes and pipe diameter or span of 84" or greater.
2. See Standard Drawing E 715-PASD-01 for anchor strap details.



**GALVANIZED
HOOK BOLT AND NUTS**

INDIANA DEPARTMENT OF TRANSPORTATION	
PIPE ANCHOR HOOK BOLT DETAILS	
APRIL 1995	
STANDARD DRAWING NO. E 715-PAHB-01	
DETAILS PLACED IN THIS FORMAT 7-27-99	
	/s/ Anthony L. Uremovich 7-02-98 DESIGN STANDARDS ENGINEER DATE
	/s/ Do Ritzbeiz Wabnitz 7-02-98 CHIEF HIGHWAY ENGINEER DATE
	ORIGINALLY APPROVED 4-01-95