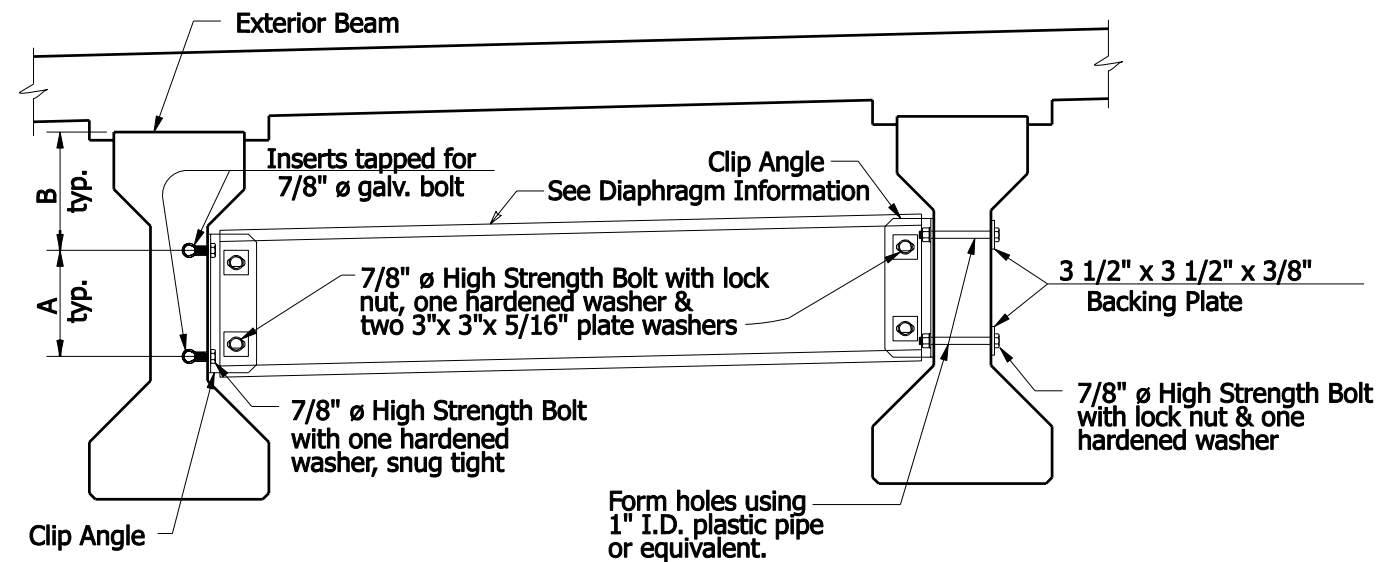


**INTERMEDIATE DIAPHRAGM**  
*Typical for Square Structure*



**INTERMEDIATE DIAPHRAGM**  
*Typical for Skewed Structure*

Diaphragm Information							
Beam Type	Dimension						Channel Type
	A	B	C	D	E	F	
Type II	9"	1'-0"	1'-1"	6"	3 1/2"	3"	C 12 x 20.7
Type III	1'-1"	1'-2 1/2"	1'-5"	10"	3 1/2"	4"	MC 18 x 42.7
Type IV	1'-4"	1'-5 1/2"	1'-8"	10"	5"	4"	MC 18 x 42.7

**NOTES:**

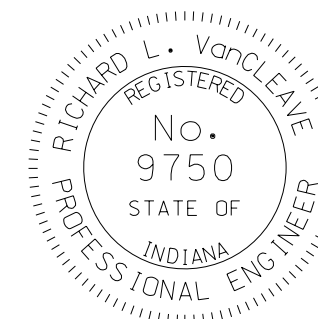
1. See Standard Drawing E 707-SDPC-02 for connection details.

INDIANA DEPARTMENT OF TRANSPORTATION

STEEL DIAPHRAGMS  
AASHTO I-BEAMS

SEPTEMBER 2007

STANDARD DRAWING NO. E 707-SDPC-01



DESIGN STANDARDS ENGINEER

*/s/ Richard L. VanCleave* 09/04/07  
DESIGN STANDARDS ENGINEER DATE

*/s/ Mark A. Miller* 09/04/07  
CHIEF HIGHWAY ENGINEER DATE