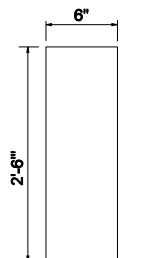
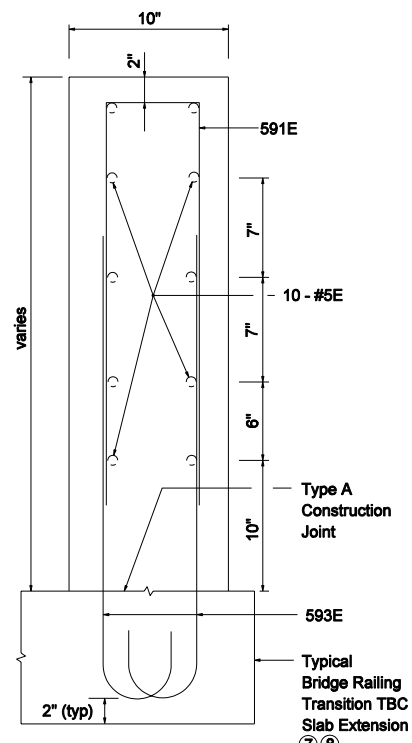


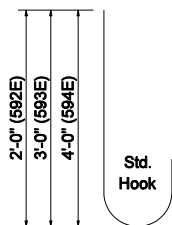
Section A - A



591E x 5'-6"



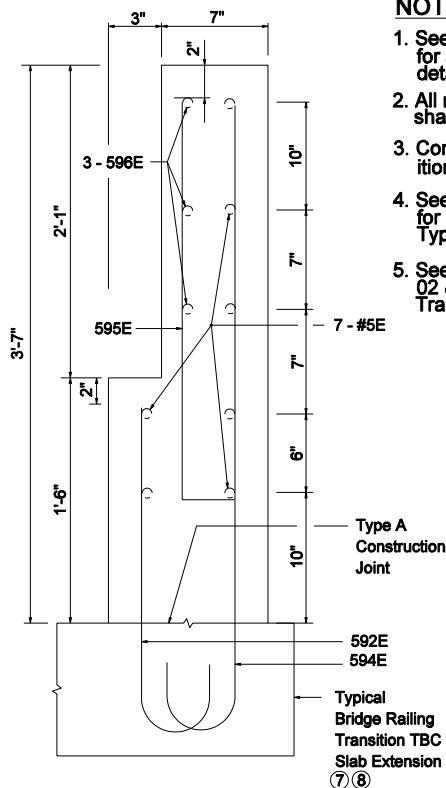
Section B - B



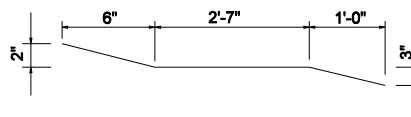
592E x 2'-10"

593E x 3'-7"

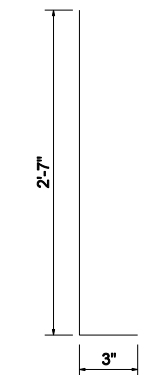
594E x 4'-7"



Section C - C



596E x 4'-3"



595E x 2'-10"

NOTES:

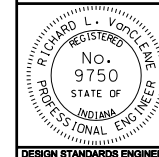
1. See Standard Drawing E 703-BRST-01 for standard 180° bar bending detail.
2. All reinforcing bars designated "E" shall be epoxy coated.
3. Concrete in bridge railing transition to be class C.
4. See Standard Drawing E 706-CBRT-02 for attachment of guardrail Type TGB.
5. See Standard Drawing E 706-TASE-01, 02 & 05 for Bridge Railing Transition TBC Slab Extension.

INDIANA DEPARTMENT OF TRANSPORTATION

**CONCRETE BRIDGE RAILING
TRANSITION, TPF-2**

SEPTEMBER 2006

STANDARD DRAWING NO. E 706-TTBP-04



/s/ Richard L. VanCleave 9-01-06
DESIGN STANDARDS ENGINEER DATE

/s/ Richard K. Smutzer 9-01-06
CHIEF HIGHWAY ENGINEER DATE

DESIGN STANDARDS ENGINEER