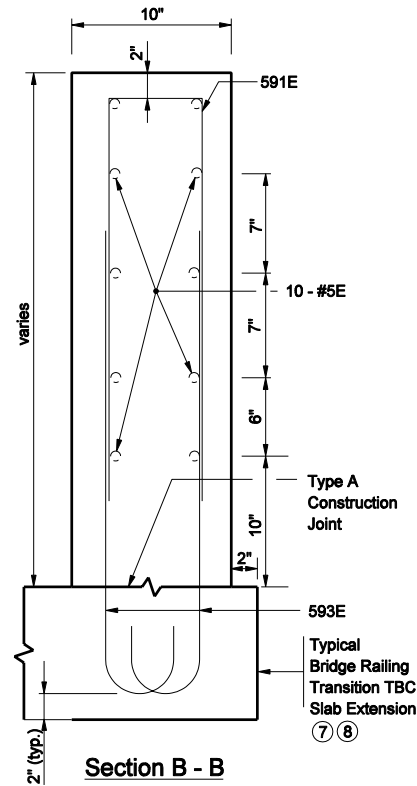
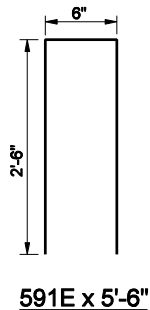
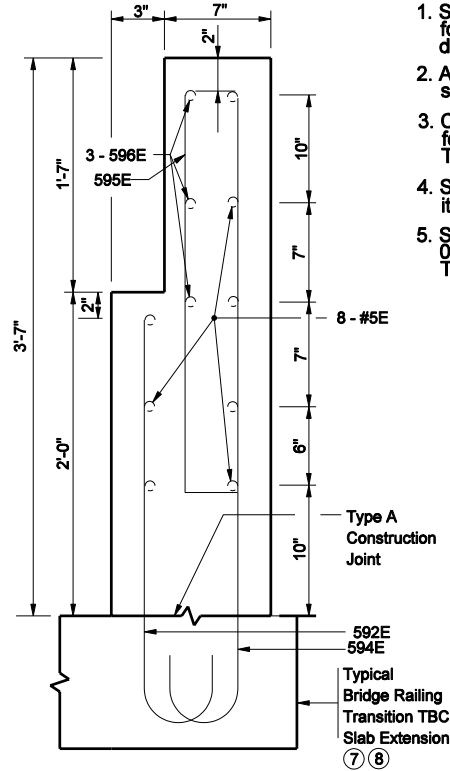
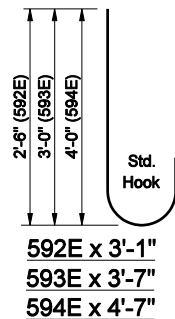


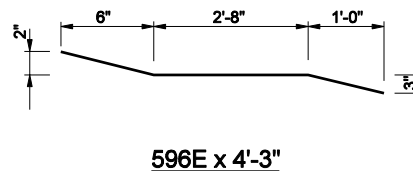
Section A - A



Section B - B

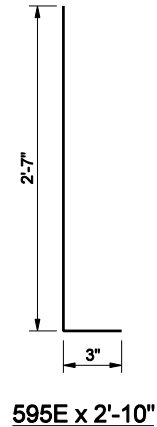


Section C - C



NOTES:

1. See Standard Drawing E 703-BRST-01 for standard 180° bar bending detail.
2. All reinforcing bars designated "E" shall be epoxy coated.
3. Concrete in bridge railing transition for attachment of guardrail Type TGB.
4. See Standard Drawing E 706-CBRT-02 for transition to be class C.
5. See Standard Drawing E 706-TASE-01, 02 & 05 for Bridge Railing Transition TBC Slab Extension.

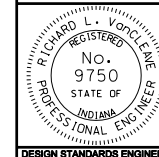


INDIANA DEPARTMENT OF TRANSPORTATION

**CONCRETE BRIDGE RAILING
TRANSITION, TPF-1**

SEPTEMBER 2006

STANDARD DRAWING NO. E 706-TTBP-02



/s/ Richard L. VanCleave 9-01-06
DESIGN STANDARDS ENGINEER DATE

/s/ Richard K. Smutzer 9-01-06
CHIEF HIGHWAY ENGINEER DATE

DESIGN STANDARDS ENGINEER