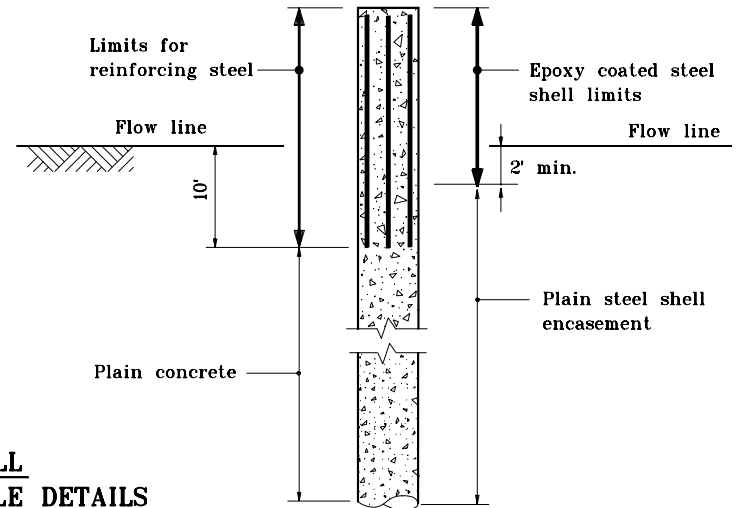
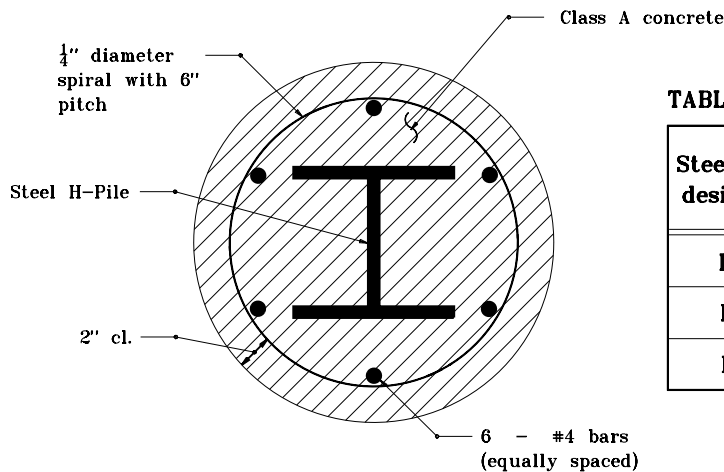


PLAN

**EPOXY COATED STEEL SHELL
ENCASED REINFORCED CONCRETE PILE DETAILS**



SECTION A-A



PLAN

**STEEL H - PILES
REINFORCED CONCRETE ENCASED DETAIL**

TABLE OF MATERIALS

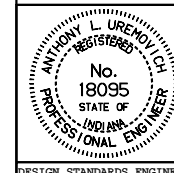
Steel H-Pile designation	Minimum pile diameter	Reinforcing steel lb/ft	Class A concrete yd ³ /ft
HP 14	2'-3	5.8	0.12
HP 12	2'-0	5.6	0.10
HP 10	1'-9	5.4	0.08

INDIANA DEPARTMENT OF TRANSPORTATION

**REINFORCED CONCRETE
PILE DETAILS**

MAY 1998

STANDARD DRAWING NO. E 701-BPIL-02



DETAILS PLACED IN THIS FORMAT 11-15-99

/s/ Anthony L. Uremovich 11-15-99
DESIGN STANDARDS ENGINEER DATE

/s/ Firooz Zandi 11-15-99
CHIEF HIGHWAY ENGINEER DATE

DESIGN STANDARDS ENGINEER

ORIGINALLY APPROVED 5-01-98