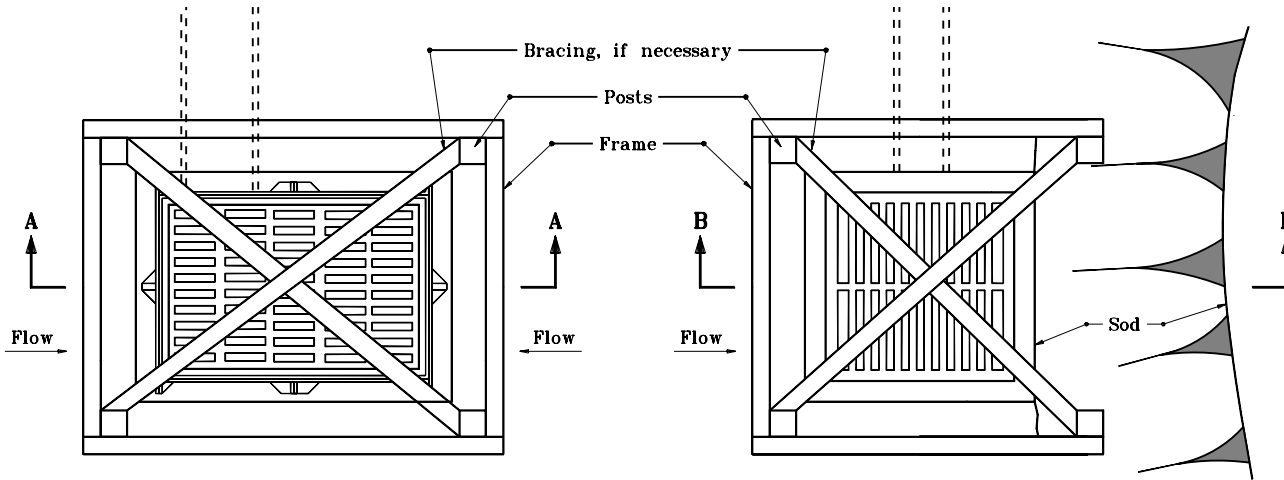


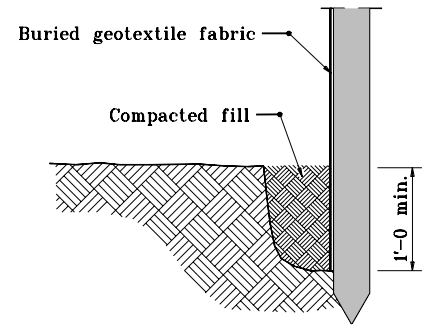
NOTES:

1. The frame shall be wrapped with one continuous piece of geotextile fabric, and a 2'-0" overlap shall be provided.

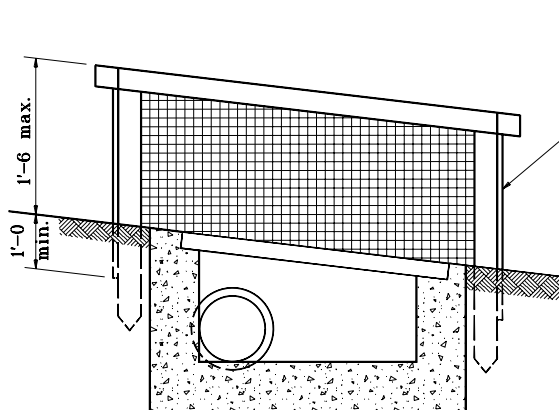


PLAN VIEW

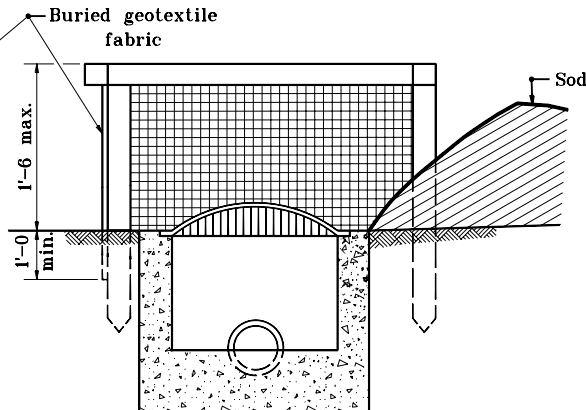
PLAN VIEW



TRENCH DETAIL



SECTION A-A



SECTION B-B

INDIANA DEPARTMENT OF TRANSPORTATION	
TEMPORARY DITCH INLET PROTECTION, GEOTEXTILE BOX	
MARCH 2002	
STANDARD DRAWING NO. E 205-TECI-02	
	/s/ Richard L. VanCleave 3-01-02 DESIGN STANDARDS ENGINEER DATE
	/s/ Richard Smutzer 3-01-02 CHIEF HIGHWAY ENGINEER DATE
DESIGN STANDARDS ENGINEER	