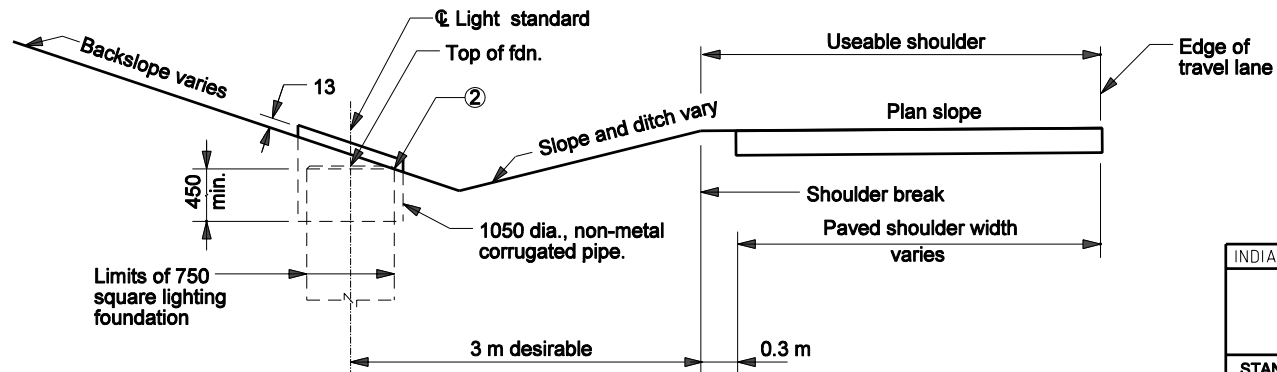


ELEVATION, CUT SECTION, ROUND FOUNDATION

Notes:

- ① ② See Standard Drawing 807-LTFD-05 for General Notes.
- 3. Transformer base door shall face roadway.
- 4. Foundation shall not be installed in ditch flow line.



ELEVATION, CUT SECTION, SQUARE FOUNDATION

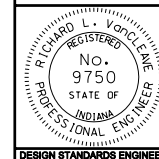
All Dimension are in mm unless otherwise specified

INDIANA DEPARTMENT OF TRANSPORTATION

**LIGHT STANDARD
FOUNDATION GRADING
CUT SECTION**

SEPTEMBER 2005

STANDARD DRAWING NO. 807-LTFD-04



/s/ Richard L. VanCleave 9-01-05
DESIGN STANDARDS ENGINEER DATE

/s/ Richard K. Smutzer 9-01-05
CHIEF HIGHWAY ENGINEER DATE

DESIGN STANDARDS ENGINEER