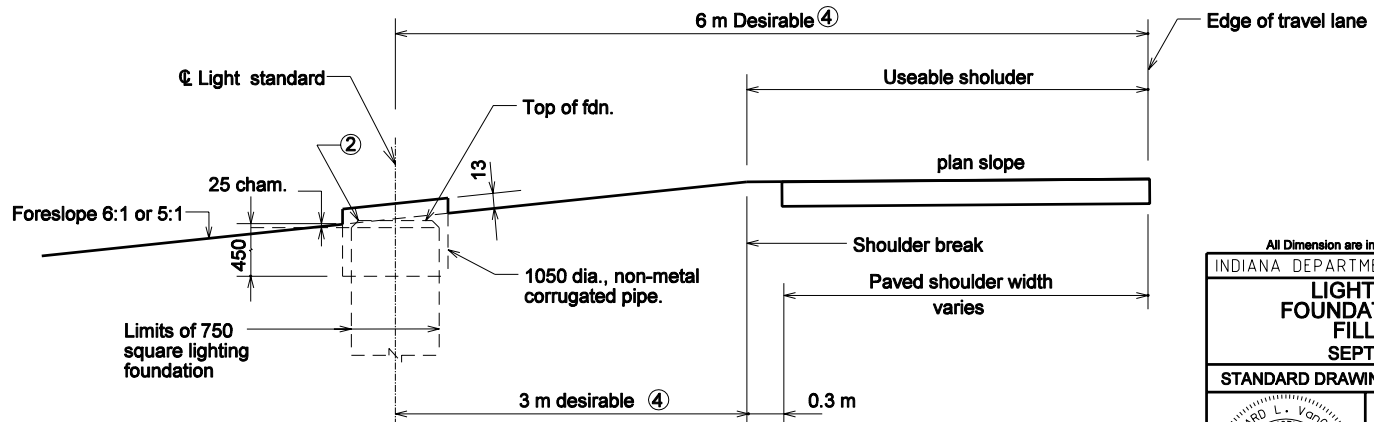


ELEVATION, FILL SECTION, 6:1 OR 5:1 SLOPE, ROUND FOUNDATION

Notes:

- 1 2 See Standard Drawing 807-LTFD-05 General Notes.
- 3 Transformer base door shall face the right-of-way line.
- 4 Use which ever gives the greatest offset distance from the edge of the travel lane.



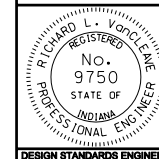
ELEVATION, FILL SECTION, 6:1 OR 5:1 SLOPE, SQUARE FOUNDATION

All Dimension are in mm unless otherwise specified

INDIANA DEPARTMENT OF TRANSPORTATION

**LIGHT STANDARD
FOUNDATION GRADING
FILL SECTION
SEPTEMBER 2005**

STANDARD DRAWING NO. 807-LTFD-02



/s/ Richard L. VanCleave 9-01-05
DESIGN STANDARDS ENGINEER DATE

/s/ Richard K. Smutzer 9-01-05
CHIEF HIGHWAY ENGINEER DATE

DESIGN STANDARDS ENGINEER