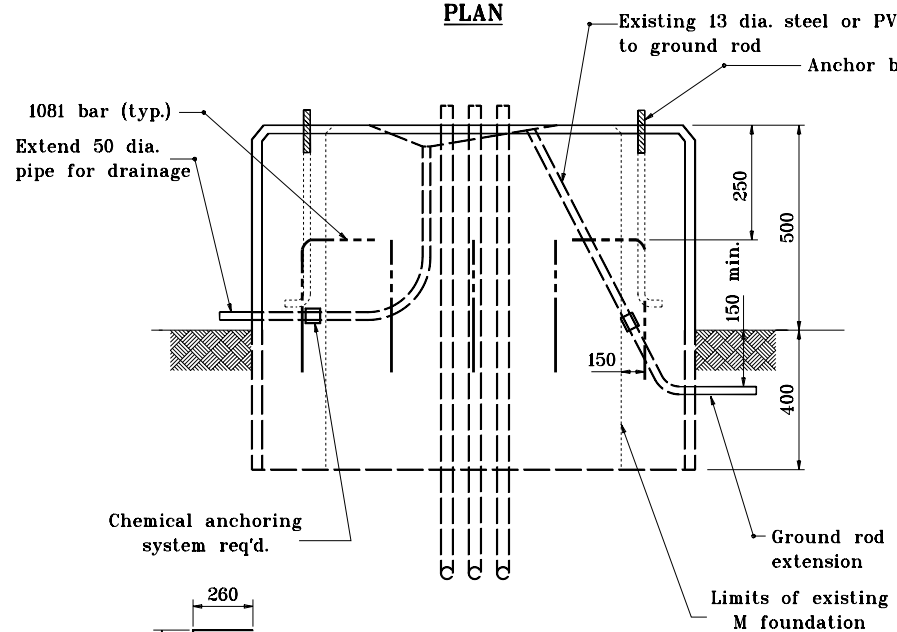


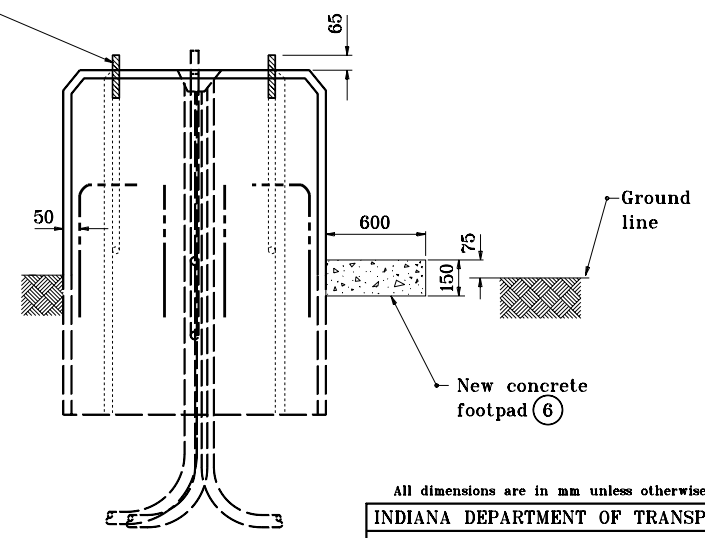
PLAN

NOTES:

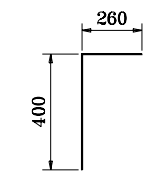
- ① See Standard Drawing 805-SGCF-02 for M foundation details.
- ② See Standard Drawing 805-SGCF-01 for P-1 foundation details.
- 3. Existing anchor bolts shall be cut at or below top of existing foundation.
- 4. See Standard Drawing 805-SGCF-03 for General Notes.



FRONT VIEW



SIDE VIEW

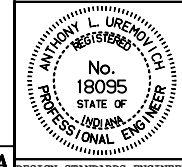


1081 x 660

All dimensions are in mm unless otherwise specified.

INDIANA DEPARTMENT OF TRANSPORTATION
**EXISTING M FOUNDATION
 MODIFIED TO P-1 FOUNDATION**
 SEPTEMBER 1998

STANDARD DRAWING NO. **805-SGCF-05**



/s/ Anthony L. Uremovich 9-01-98
 DESIGN STANDARDS ENGINEER DATE

/s/ Donald W. Lucas 9-01-98
 CHIEF HIGHWAY ENGINEER DATE

Source Sheet: **MT7A**