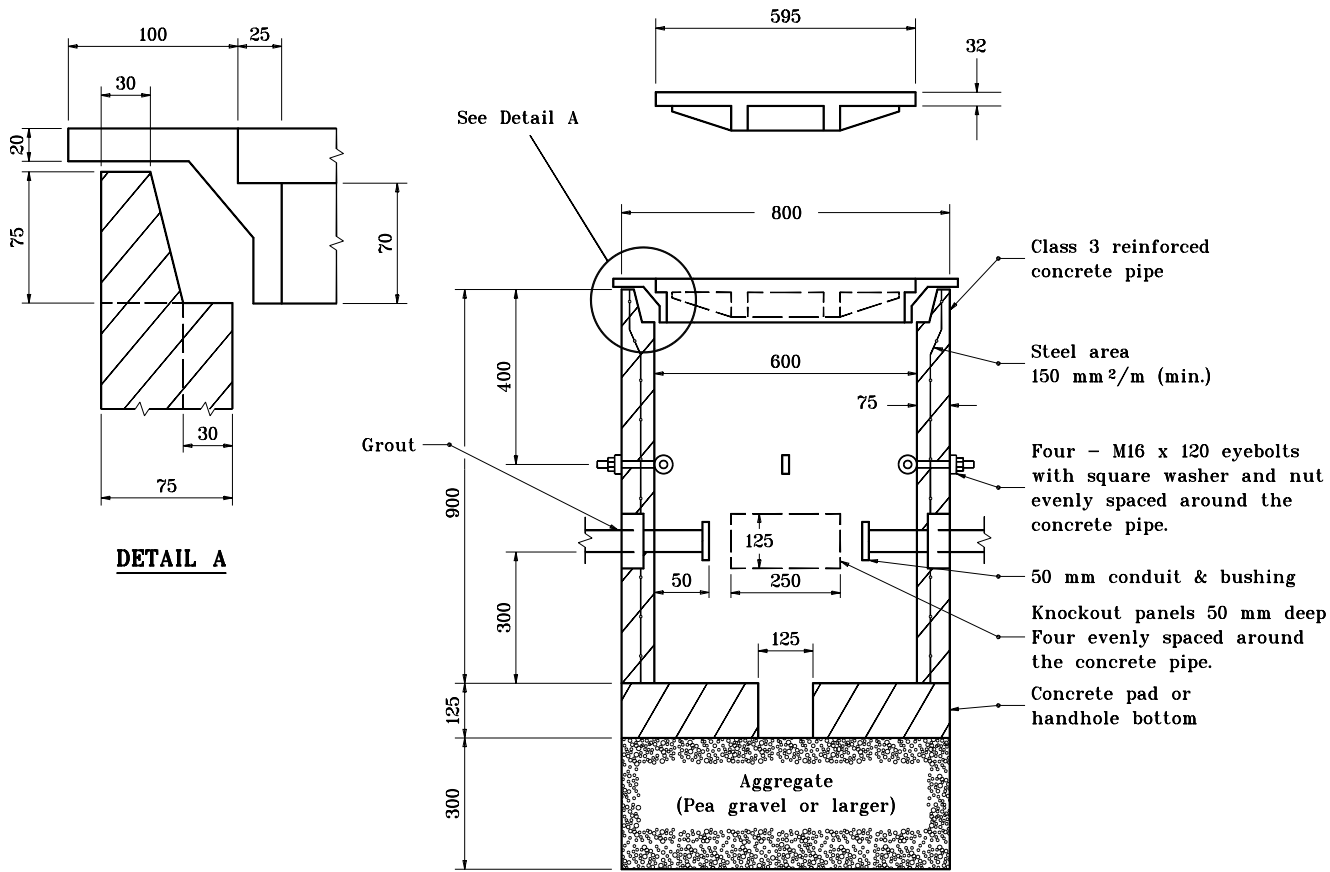


GENERAL NOTES

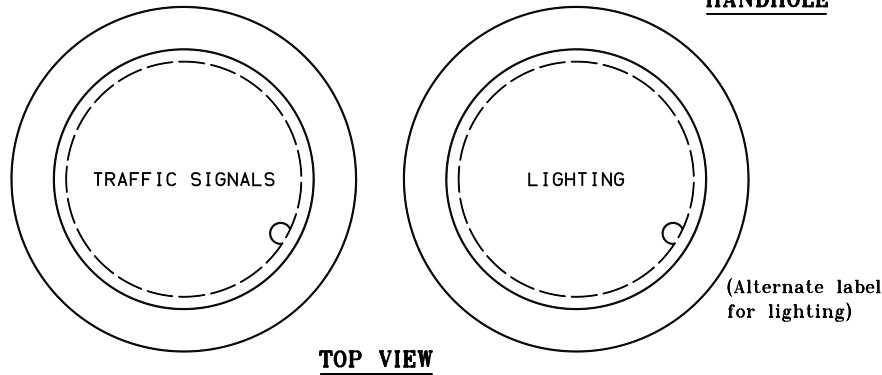
1. Approximate weight for cast iron ring and cover shall be 145 kg.



See Detail A

DETAIL A

HANDHOLE



TOP VIEW

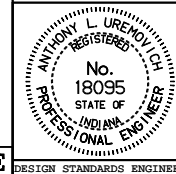
All dimensions are in mm unless otherwise specified.

INDIANA DEPARTMENT OF TRANSPORTATION

SIGNAL HANDHOLE

JUNE 1996

STANDARD DRAWING NO. 805-SGCF-04



/s/ Anthony L. Uremovich 6-03-96
DESIGN STANDARDS ENGINEER DATE

/s/ Donald W. Lucas 6-03-96
CHIEF HIGHWAY ENGINEER DATE

Source Sheet: NONE