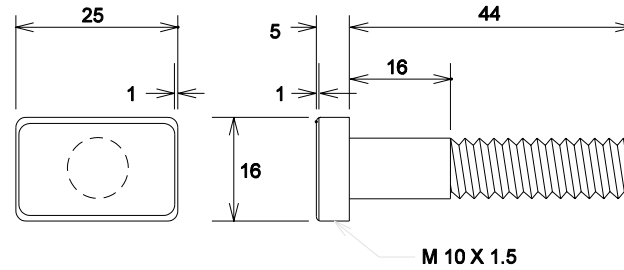


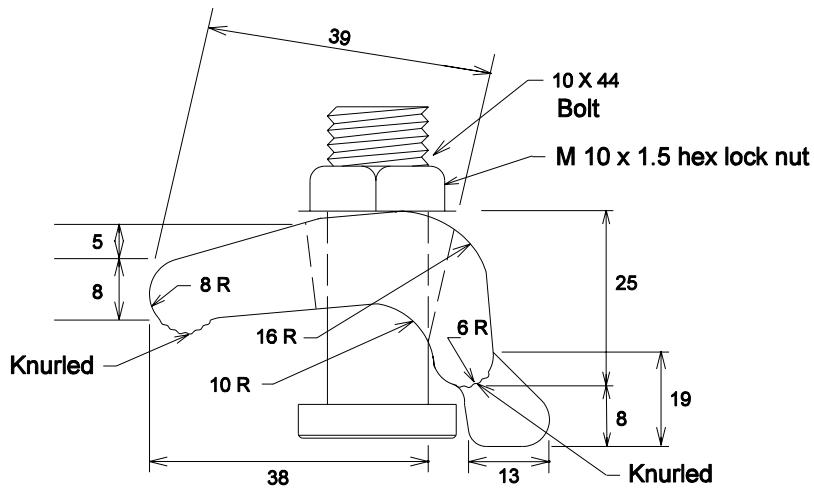
**PLAN VIEW**



**TOP VIEW**

**SIDE VIEW**

**POST CLIP BOLT**



**ELEVATION VIEW**

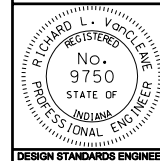
All dimensions are in mm unless otherwise specified

INDIANA DEPARTMENT OF TRANSPORTATION

Panel Sign Post Clip

SEPTEMBER 2004

STANDARD DRAWING NO. 802-SNGP-10A



/s/ Richard L. VanCleave 9-01-04  
DESIGN STANDARDS ENGINEER DATE

/s/ Richard K. Smutzer 9-01-04  
CHIEF HIGHWAY ENGINEER DATE

DESIGN STANDARDS ENGINEER