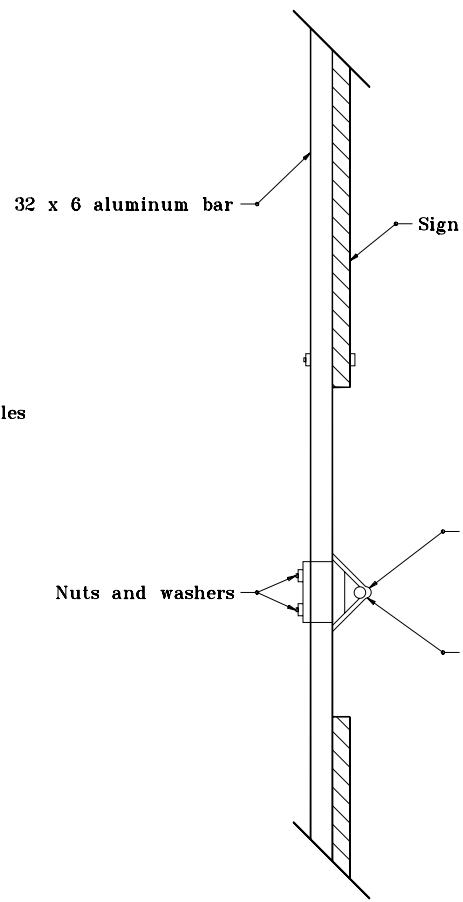
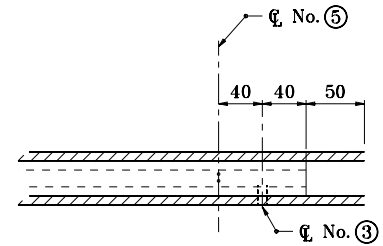
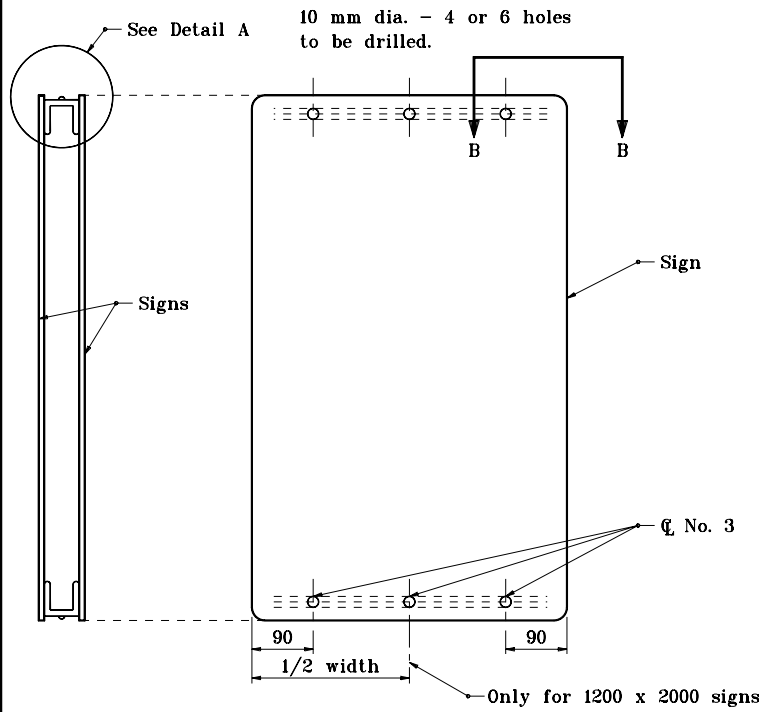


DETAIL A



DETAIL B

PART No.	MATERIAL DESCRIPTION
①	M8 nylon washer
②	C 75 x 6.1 steel channel
③	M8 x 100 bolt
④	M8 nylon washer
⑤	M6 x 70 U bolt
⑥	M6 lock washer
⑦	M6 hex nut
⑧	M8 lock nut



B-B TOP VIEW

All dimensions are in mm unless otherwise specified.

INDIANA DEPARTMENT OF TRANSPORTATION
CABLE SPAN SIGN
STRUCTURE DETAILS
 SEPTEMBER 2001
 STANDARD DRAWING NO. 802-SNCS-03

	<i>/s/ Anthony L. Uremovich</i> 9-04-01 <small>DESIGN STANDARDS ENGINEER DATE</small>
	<i>/s/ Firooz Zandi</i> 9-04-01 <small>CHIEF HIGHWAY ENGINEER DATE</small>

DESIGN STANDARDS ENGINEER