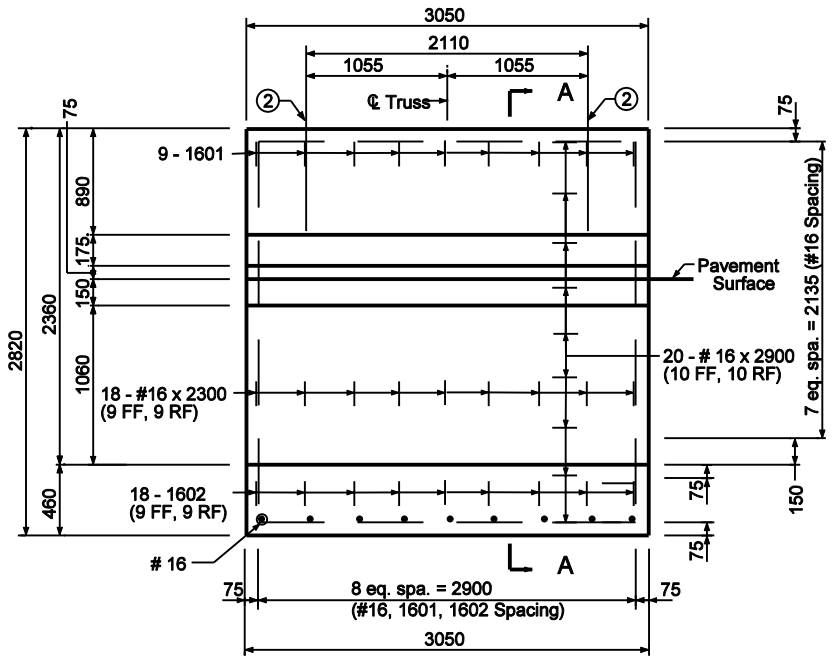
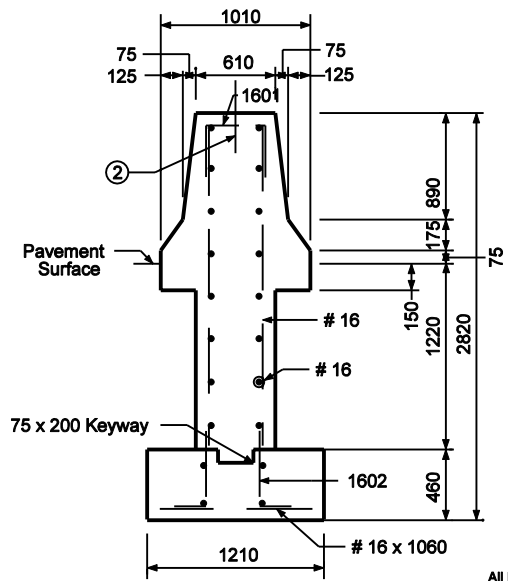


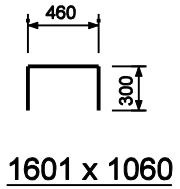
PLAN



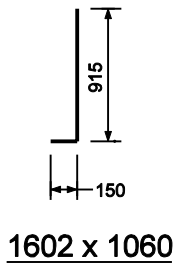
ELEVATION



SECTION A-A



1601 x 1060



1602 x 1060

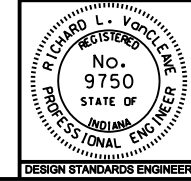
Notes:

- 1. For barrier wall width transition see Standard Drawing 602-CCMB-03.
- ② ⌀ Anchor Bolt.

All Dimension are in mm unless otherwise specified

INDIANA DEPARTMENT OF TRANSPORTATION
BOX TRUSS SIGN FOUNDATION
FOR 1145 CONC. BARRIER WALL
TYPE V - B
MARCH 2003

STANDARD DRAWING NO. 802-SNBF-04



/s/ Richard L. VanCleave 3-03-03
 DESIGN STANDARDS ENGINEER DATE

/s/ Richard K. Smutzer 3-03-03
 CHIEF HIGHWAY ENGINEER DATE

DESIGN STANDARDS ENGINEER