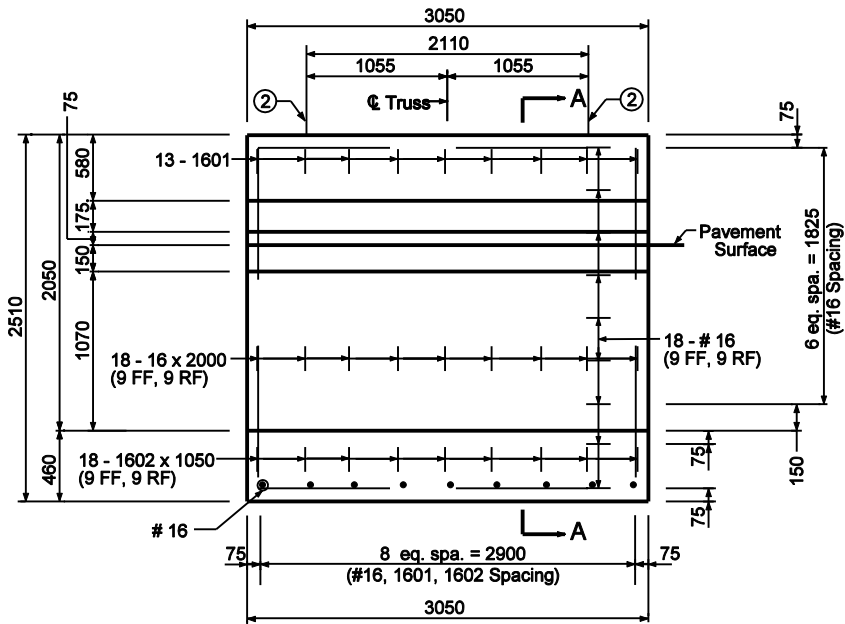
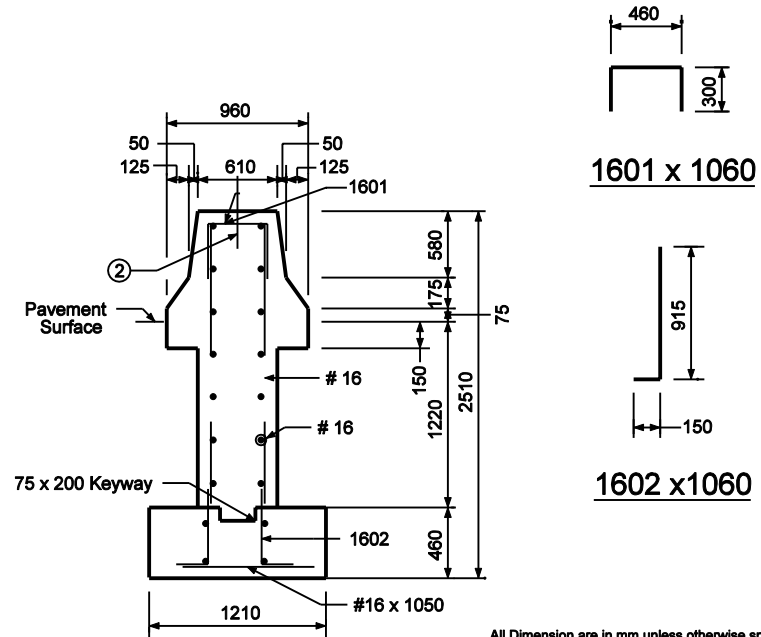


PLAN



ELEVATION

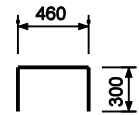


SECTION A-A

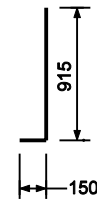
Notes:

1. For barrier wall width transition see Standard Drawing 602-CCMB-03.

② \varnothing Anchor Bolt.



1601 x 1060

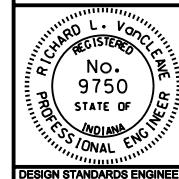


1602 x 1060

All Dimension are in mm unless otherwise specified

INDIANA DEPARTMENT OF TRANSPORTATION
**BOX TRUSS SIGN FOUNDATION
 FOR 840 CONC. BARRIER WALL
 TYPE V - A
 MARCH 2003**

STANDARD DRAWING NO. 802-SNBF-03



/s/ Richard L. VanCleave 3-03-03
 DESIGN STANDARDS ENGINEER DATE

/s/ Richard K. Smutzer 3-03-03
 CHIEF HIGHWAY ENGINEER DATE

DESIGN STANDARDS ENGINEER