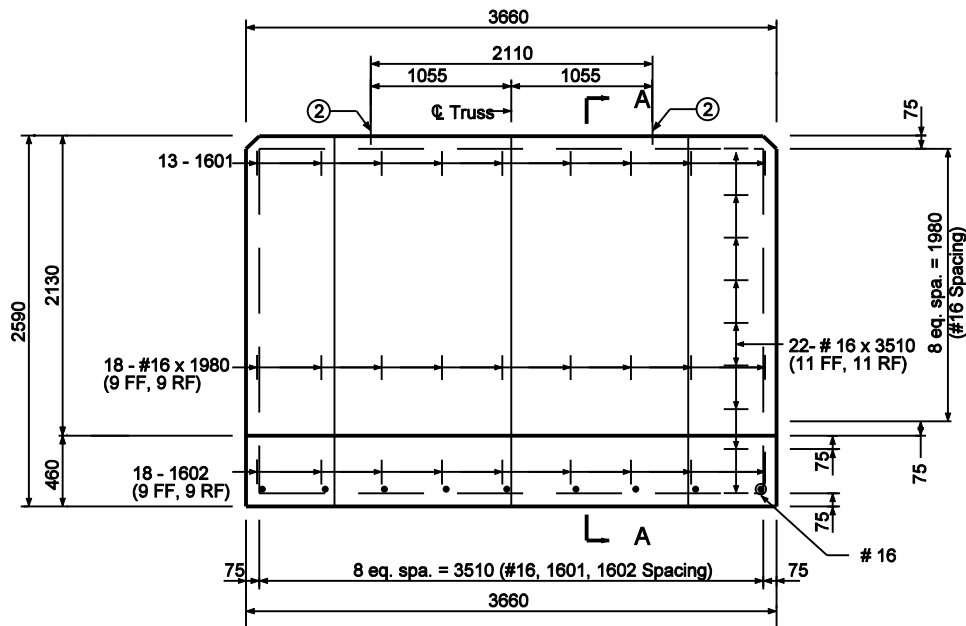
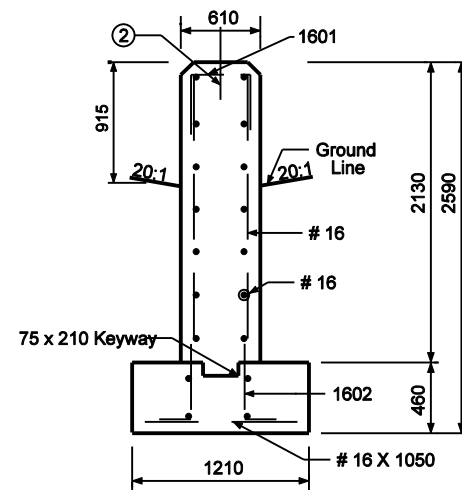


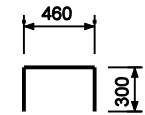
PLAN



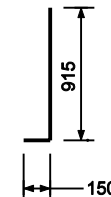
ELEVATION



SECTION A-A



1601 x 1060



1602 x 1060

Notes:

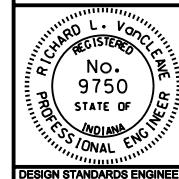
1. For barrier wall width transition see Standard Drawing 602-CCMB-03.

② \varnothing Anchor Bolt.

All Dimension are in mm unless otherwise specified

INDIANA DEPARTMENT OF TRANSPORTATION
**BOX TRUSS SIGN FOUNDATION
 FOR GRASS MEDIAN INSTALLATION
 TYPE V - D
 MARCH 2003**

STANDARD DRAWING NO. 802-SNBF-02



/s/ Richard L. VanCleave 3-03-03
 DESIGN STANDARDS ENGINEER DATE

/s/ Richard K. Smutzer 3-03-03
 CHIEF HIGHWAY ENGINEER DATE

DESIGN STANDARDS ENGINEER