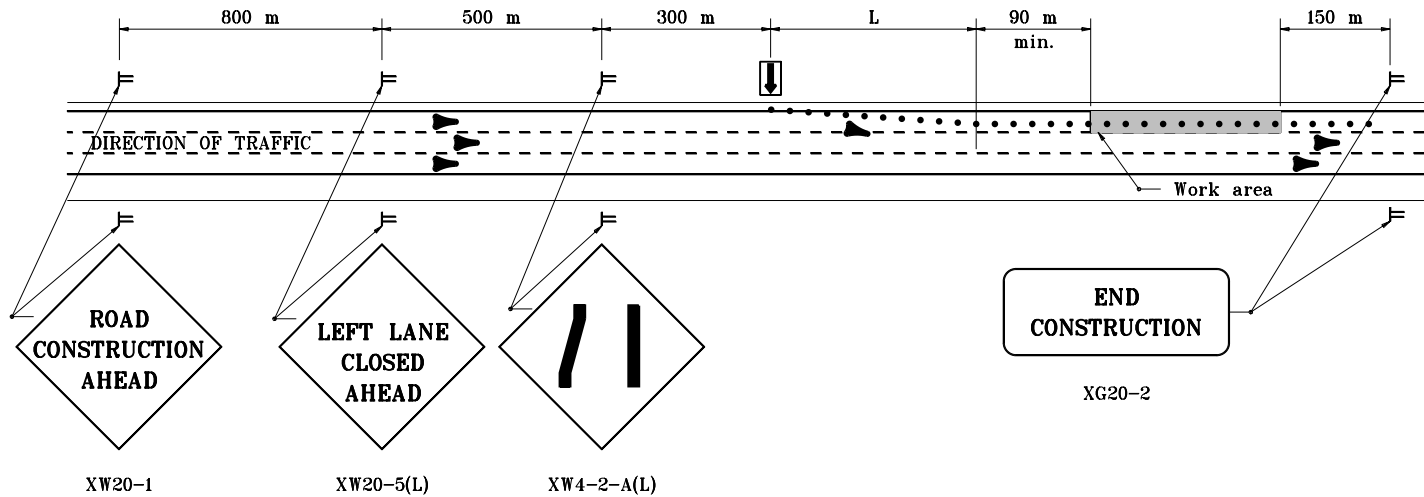
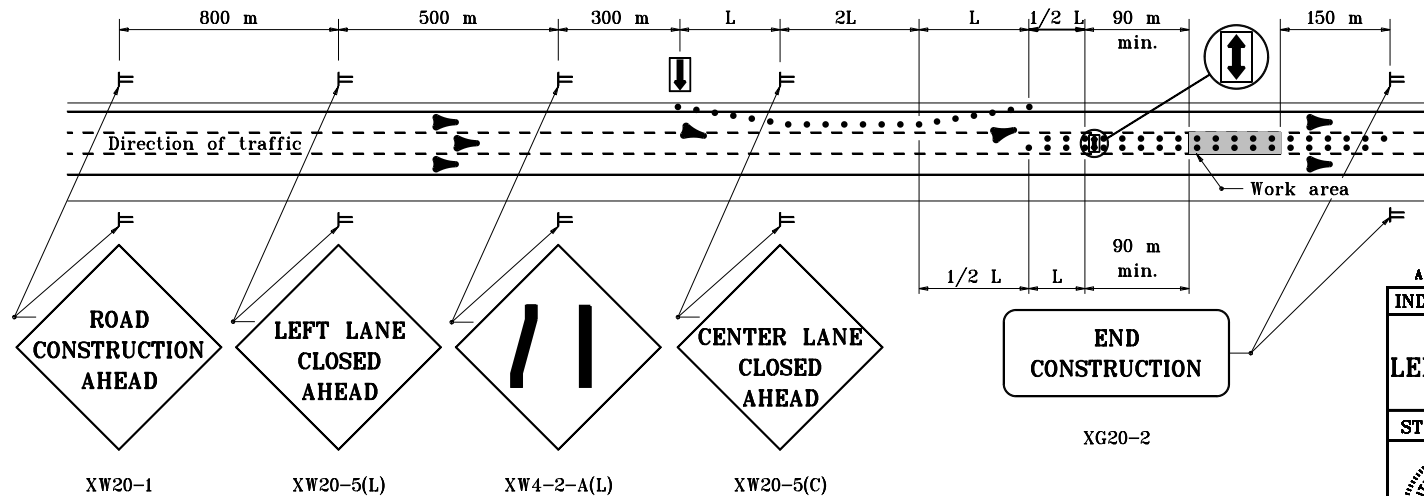


**GENERAL NOTES**

1. All lanes are to be open after daylight working hours.
2. See Standard Drawing 801-TCLG-01 for standard notes and legend.

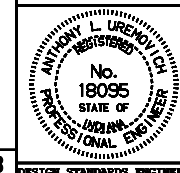


**TYPICAL APPLICATION ON 6 - LANE DIVIDED HIGHWAY WHERE LEFT LANE IS CLOSED**



**TYPICAL APPLICATION ON 6 - LANE DIVIDED HIGHWAY WHERE CENTER LANE IS CLOSED**

All dimensions are in mm unless otherwise specified.  
**INDIANA DEPARTMENT OF TRANSPORTATION**  
**DAYLIGHT LANE CLOSURES**  
**LEFT OR CENTER LANE CLOSED**  
 MAY 1997  
**STANDARD DRAWING NO. 801-TCLC-06**



/s/ Anthony L. Uremovich 5-01-97  
 DESIGN STANDARDS ENGINEER DATE

/s/ Donald W. Lucas 5-01-97  
 CHIEF HIGHWAY ENGINEER DATE