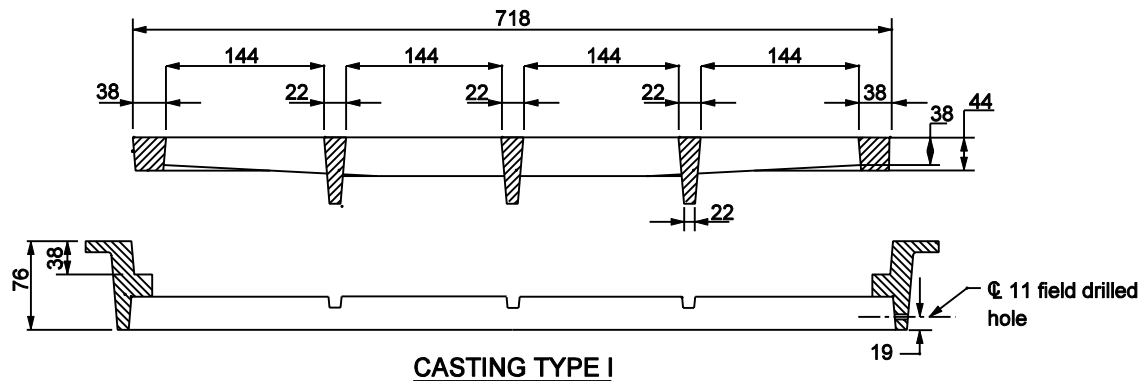
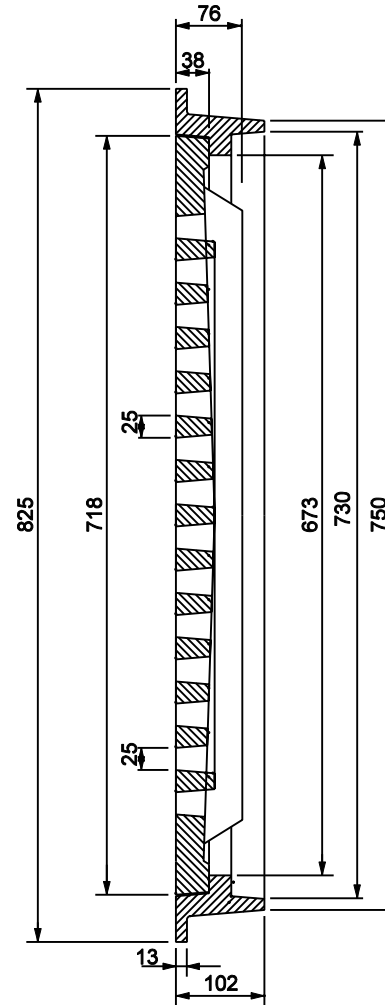
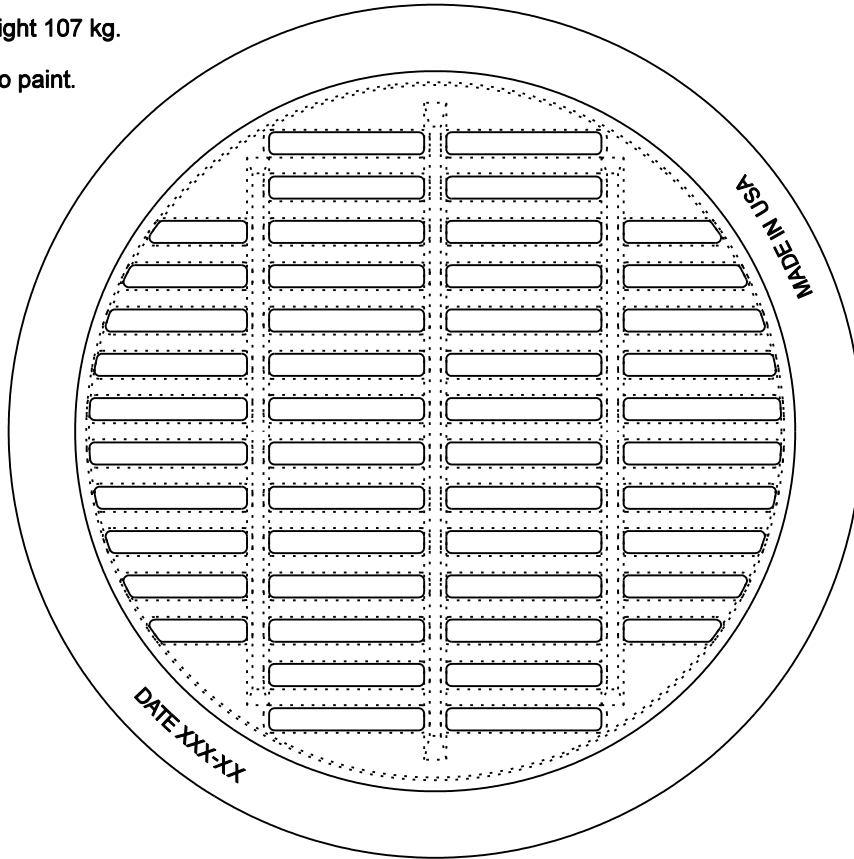


**GENERAL NOTES**

1. Casting total weight 107 kg.
2. Casting finish: no paint.



**CASTING TYPE I**

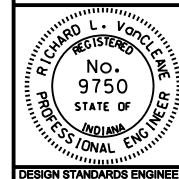
All Dimension are in mm unless otherwise specified

INDIANA DEPARTMENT OF TRANSPORTATION

**CASTING TYPE I  
FRAME AND GRATE**

MARCH 2003

STANDARD DRAWING NO. 720-SDCP-02



/s/ Richard L. VanCleave 3-03-03  
DESIGN STANDARDS ENGINEER DATE

/s/ Richard K. Smutzer 3-03-03  
CHIEF HIGHWAY ENGINEER DATE

DESIGN STANDARDS ENGINEER