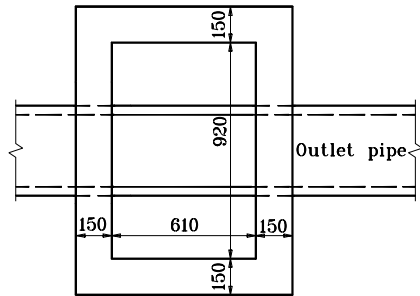


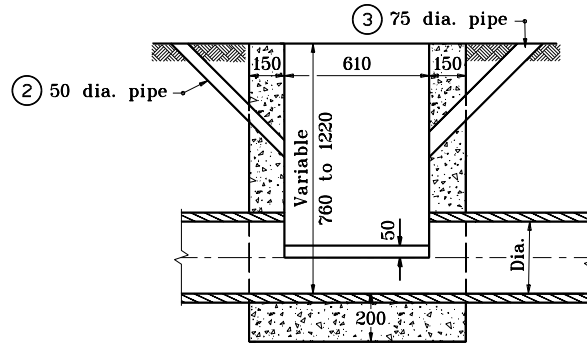
GENERAL NOTES

- ① If inlet pipe is required, A_1 and B_1 shall be increased or decreased 300 as directed.
- ② 50 dia. pipe drain from bottom of curb to inlet. Aggregate to be placed around inlet end of pipe.
- ③ 75 min. dia. pipe to be kept open for drainage of subgrade or base until surface is placed.

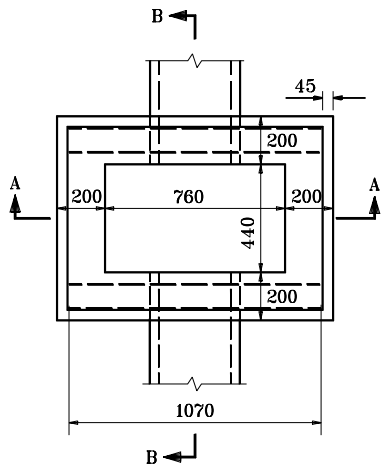


PLAN

INLET TYPE M (CONC.)

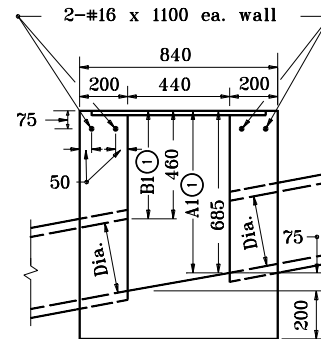
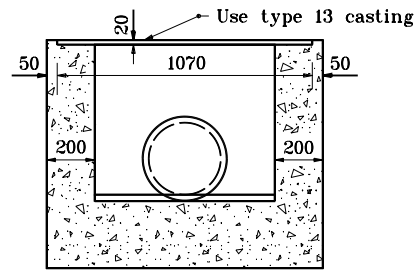


SECTION



SECTION A-A

INLET TYPE R (CONC.)



SECTION B-B

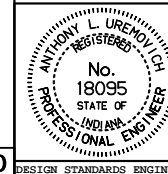
All dimensions are in mm unless otherwise specified.

INDIANA DEPARTMENT OF TRANSPORTATION

INLETS TYPE M AND R

SEPTEMBER 1997

STANDARD DRAWING NO. **720-INST-07**



/s/ Anthony L. Uremovich 9-01-97
DESIGN STANDARDS ENGINEER DATE

/s/ Donald W. Lucas 9-01-97
CHIEF HIGHWAY ENGINEER DATE

Source Sheet: **MD**