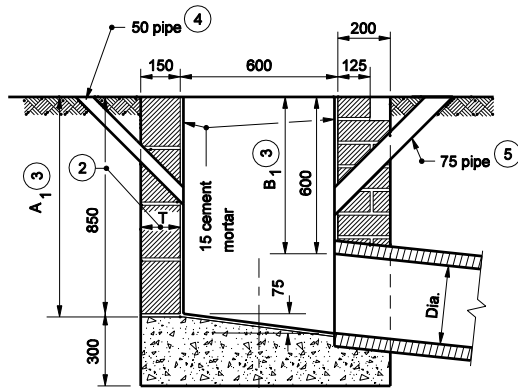
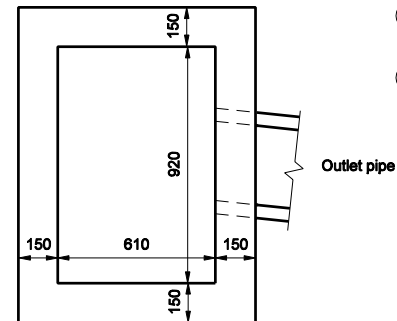
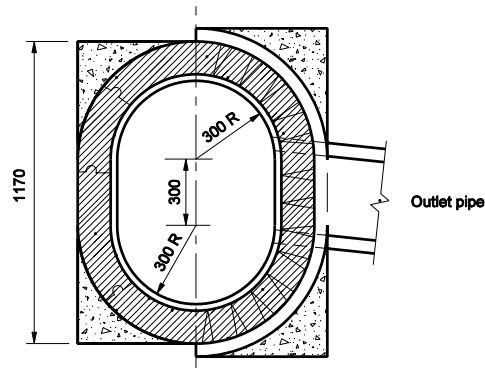
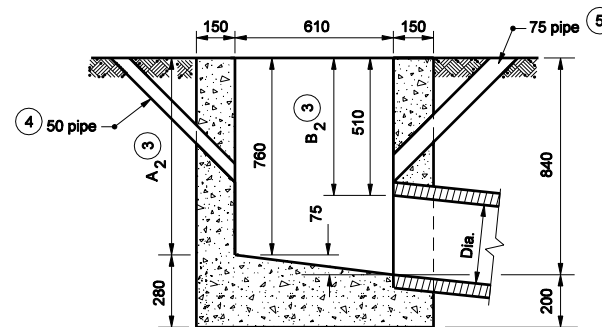


**GENERAL NOTES**

1. Brick, block, or concrete may be used.
- 2 T = 200 for brick structure  
T = 150 for segmental block structure
- 3 If inlet pipe is required, A<sub>1</sub>, B<sub>1</sub>, A<sub>2</sub>, and B<sub>2</sub> shall be increased or decreased 300, as directed
- 4 50 pipe drain from bottom of curb to inlet. Aggregate to be placed around inlet end of pipe.
- 5 75 min. dia. pipe to be kept open for drainage of subgrade or base until surface is placed.



**BRICK OR BLOCK**



**CONCRETE**

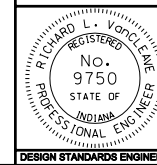
All dimensions are in mm unless otherwise specified

INDIANA DEPARTMENT OF TRANSPORTATION

**INLET TYPE J**

SEPTEMBER 2005

STANDARD DRAWING NO. 720-INST-06



/s/ Richard L. VanCleave 9-01-05  
DESIGN STANDARDS ENGINEER DATE

/s/ Richard K. Smutzer 9-01-05  
CHIEF HIGHWAY ENGINEER DATE

DESIGN STANDARDS ENGINEER