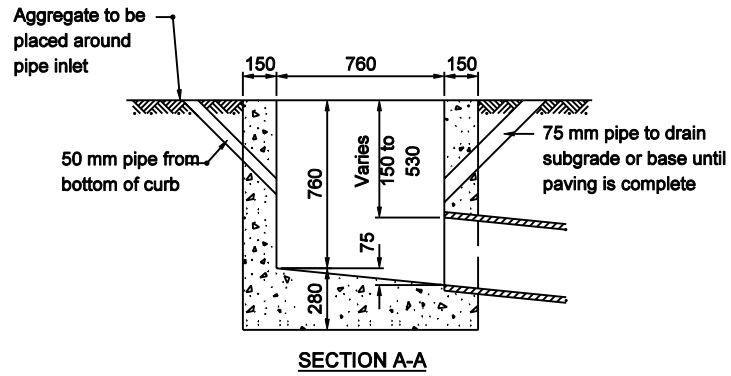
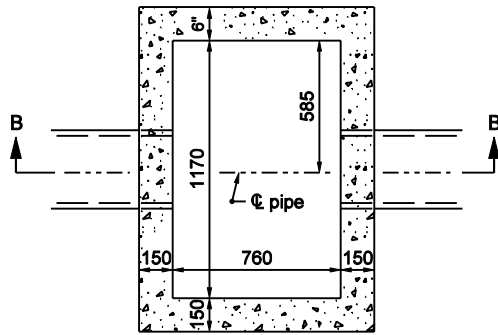


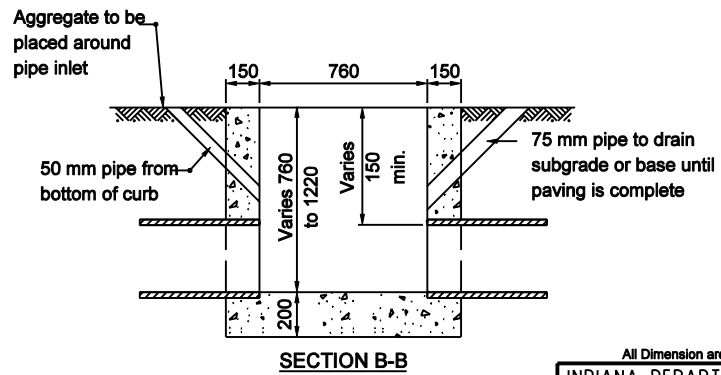
PLAN



INLET-TYPE B



PLAN



INLET-TYPE C

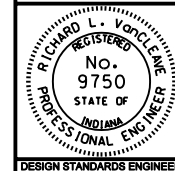
All Dimension are in mm unless otherwise specified

INDIANA DEPARTMENT OF TRANSPORTATION

INLETS TYPE B AND C

SEPTEMBER 2003

STANDARD DRAWING NO. 720-INST-02



/s/ Richard L. VanCleave 9-02-03
DESIGN STANDARDS ENGINEER DATE

/s/ Richard K. Smutzer 9-02-03
CHIEF HIGHWAY ENGINEER DATE

DESIGN STANDARDS ENGINEER