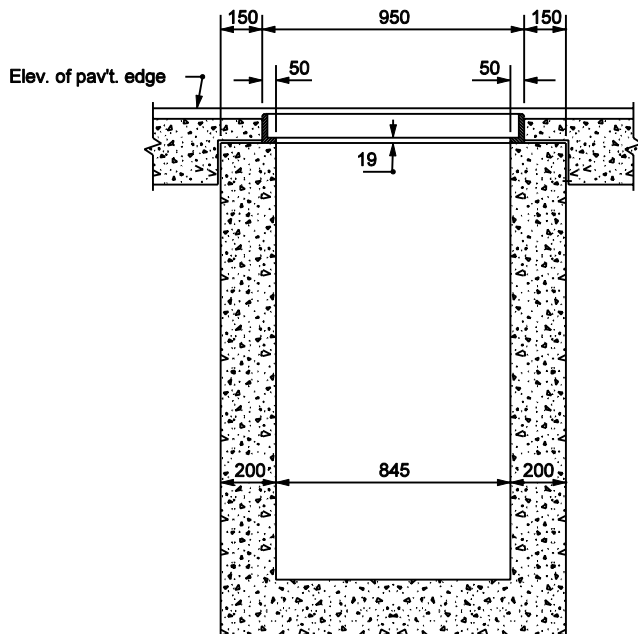
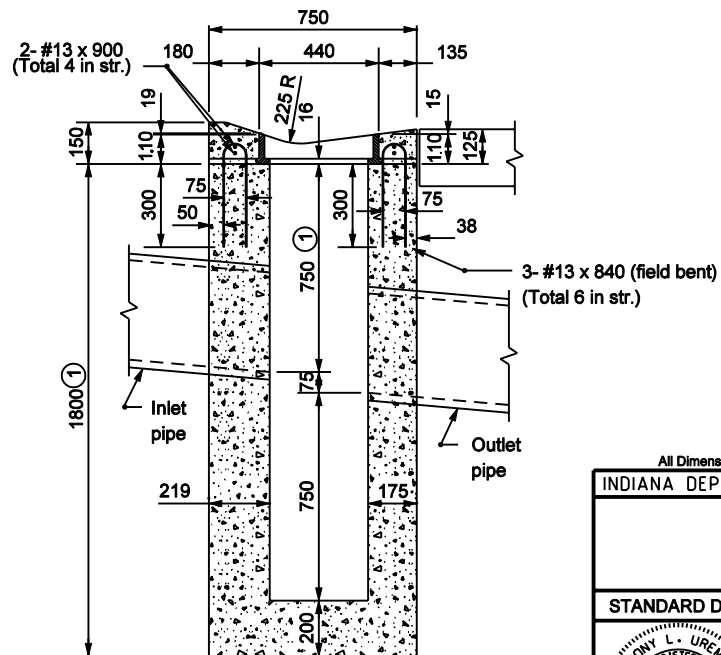


PLAN



SECTION A-A



SECTION B-B

**NOTES**

- ① These dimensions may be increased or decreased by 300 as directed.

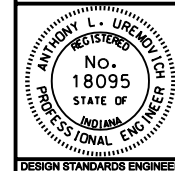
All Dimension are in mm unless otherwise specified

INDIANA DEPARTMENT OF TRANSPORTATION

CATCH BASIN  
TYPE D

SEPTEMBER 2003

STANDARD DRAWING NO. 720-CBST-02



/s/ Anthony L. Uremovich 3-02-03  
DESIGN STANDARDS ENGINEER DATE

/s/ Richard K. Smutzer 3-02-03  
CHIEF HIGHWAY ENGINEER DATE

DESIGN STANDARDS ENGINEER