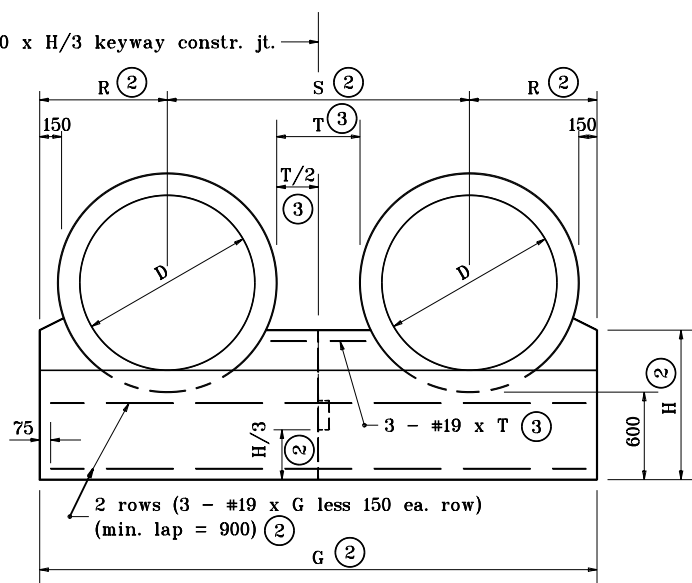
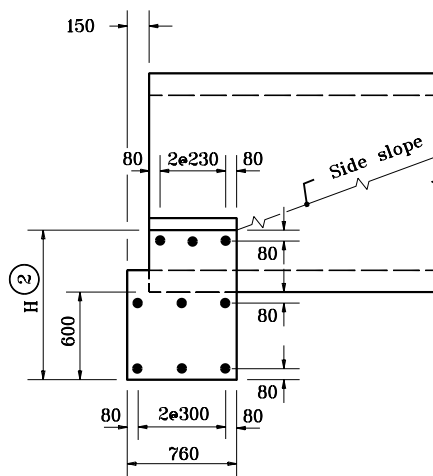


④ 80 x 200 x H/3 keyway constr. jt.



**ANCHOR FOR DOUBLE PIPE INSTALLATION
FRONT ELEVATION**

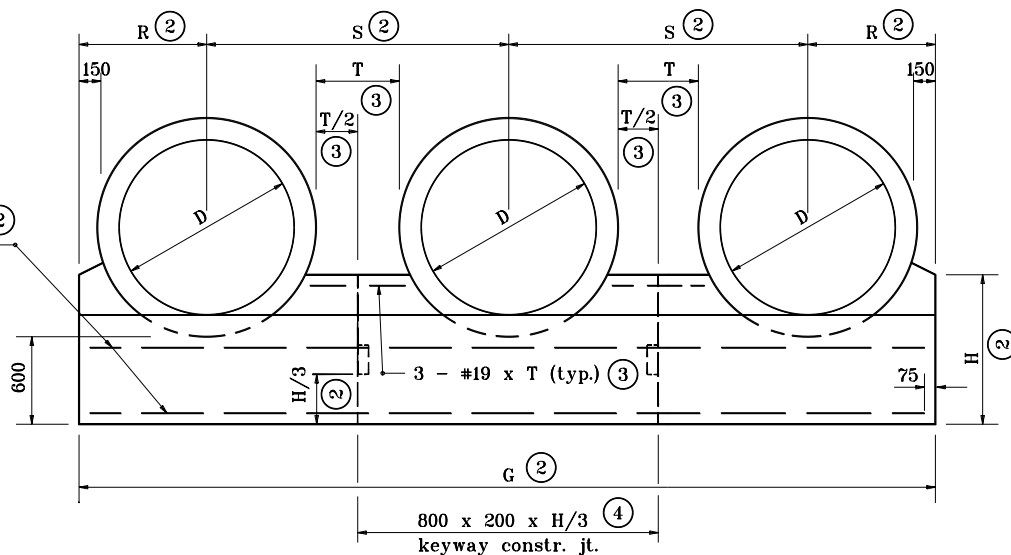


**SECTION THROUGH
ANCHOR**

GENERAL NOTES

1. Circular reinforced concrete pipes shown. For details of other pipe alternates, see partial elevations on Standard Drawing 715-MPCA-02.
- ② For dimension enter chart on Standard Drawing 715-ANCH-01 with known dimension D.
- ③ T = Clear distance between pipes.
For D less than 1200, T = 600.
For D of 1200 to 2400, T = 1/2 D
For D greater than 2400 T = 1200.
- ④ No joint required if G is less than or equal to 9000. One joint required if G is greater than 9000 but less than or equal to 12 800. Two joints required if G is greater than 12 800.

2 rows (3 - #19 x G less 150 ea. row) (min. lap = 900) ②



**ANCHOR FOR TRIPLE PIPE INSTALLATION
FRONT ELEVATION**

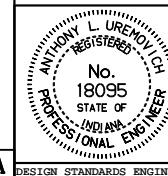
All dimensions are in mm unless otherwise specified.

INDIANA DEPARTMENT OF TRANSPORTATION

**MULTIPLE PIPE
CONCRETE ANCHORS**

JANUARY 1998

STANDARD DRAWING NO. 715-MPCA-01



/s/ Anthony L. Uremovich 1-02-98
DESIGN STANDARDS ENGINEER DATE

/s/ Donald W. Lucas 1-02-98
CHIEF HIGHWAY ENGINEER DATE

Source Sheet: ME1A