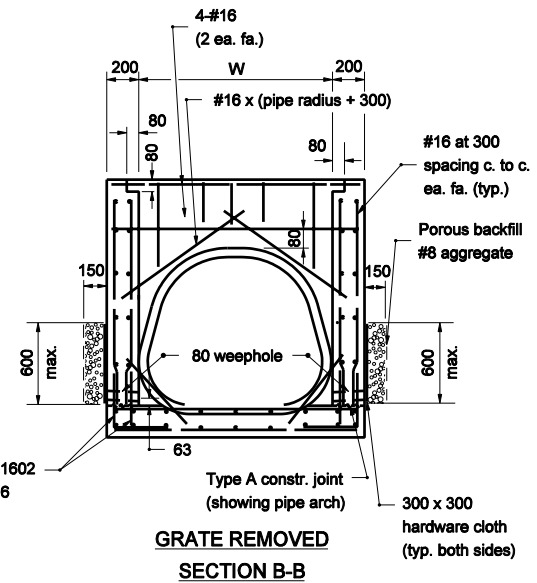
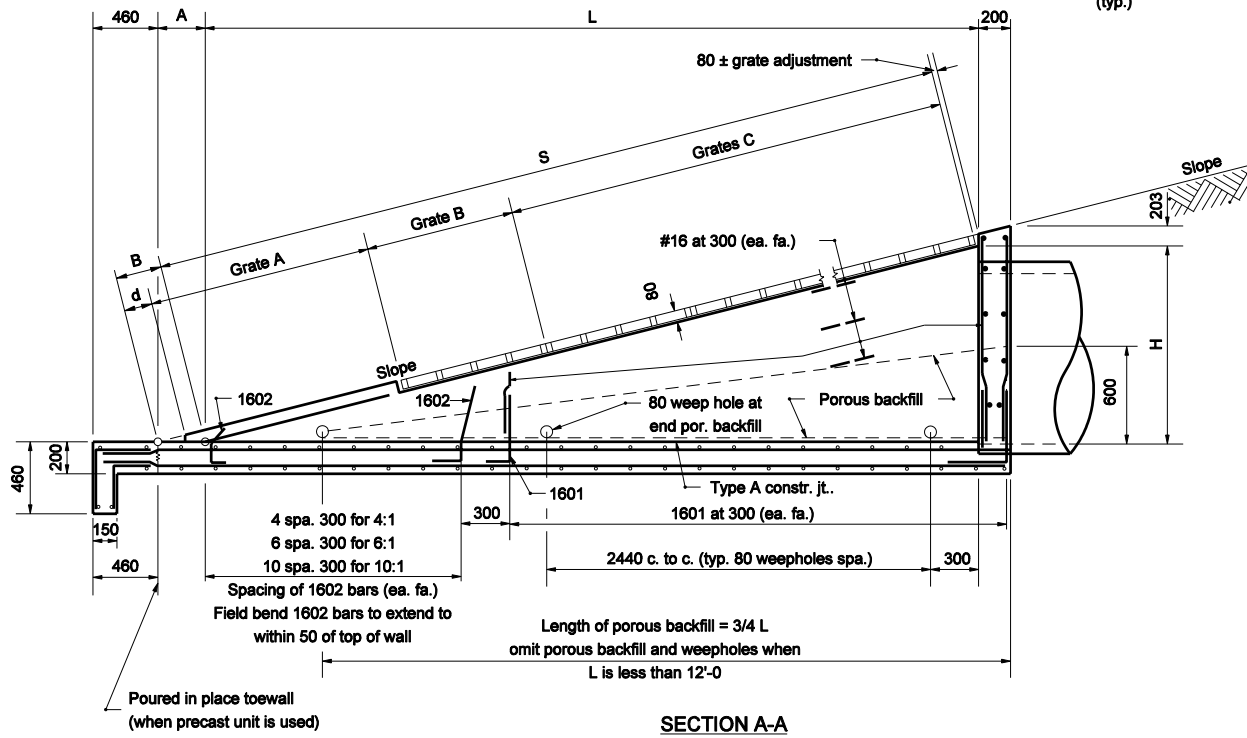


PLAN VIEW



GRATE REMOVED
SECTION B-B



SECTION A-A

GENERAL NOTES

1. The invert grade of the grated box end section shall be the same as that of the pipe.
2. See Standard Drawings 715-GBTT-05 and -06 for dimensions tables.
3. See Standard Drawing 715-GBTT-02 for bending diagrams.
4. Type II grated box end sections shall be used for culverts parallel to the mainline within the clear zone.

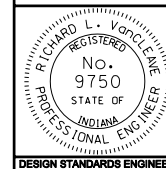
All dimensions are in mm unless otherwise specified

INDIANA DEPARTMENT OF TRANSPORTATION

**GRATED BOX END
SECTION TYPE II**

MARCH 2006

STANDARD DRAWING NO. 715-GBTT-03



/s/ Richard L. VanCleave 3-01-06
DESIGN STANDARDS ENGINEER DATE

/s/ Richard K. Smutzer 3-01-06
CHIEF HIGHWAY ENGINEER DATE

DESIGN STANDARDS ENGINEER