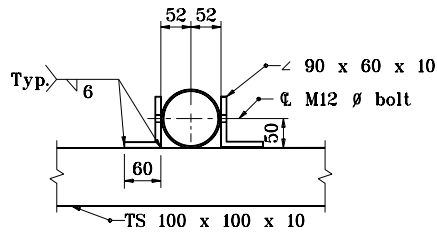
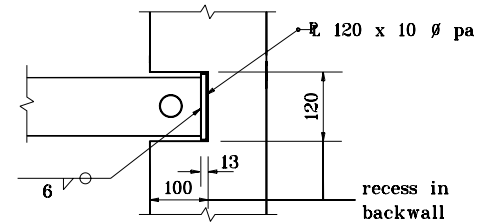


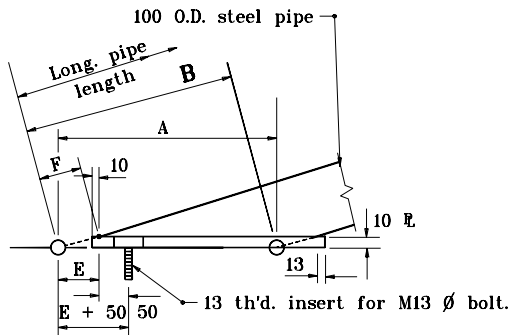
PLAN



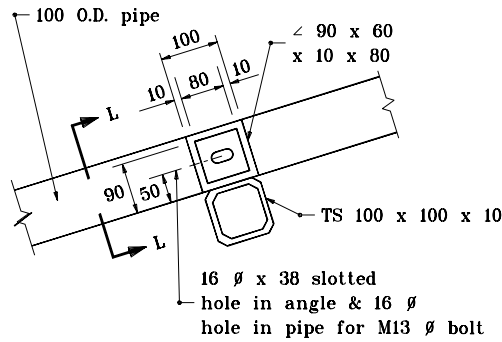
SECTION L-L



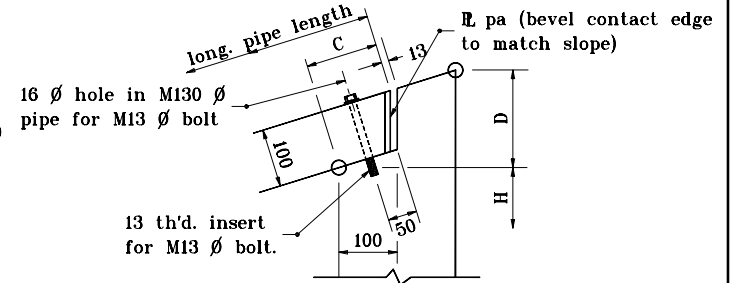
PLAN



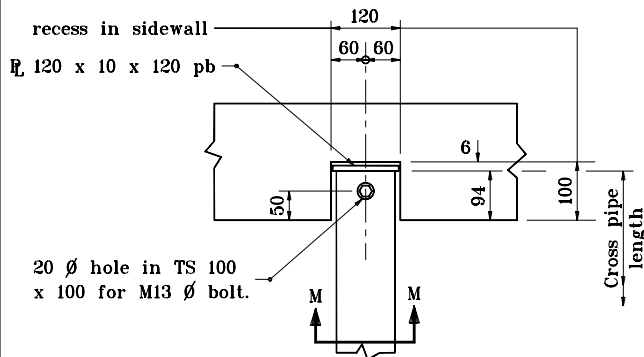
DETAIL A



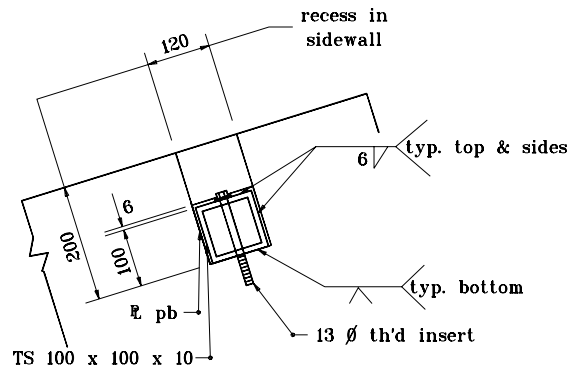
DETAIL B



DETAIL C



DETAIL D



SECTION M-M

All dimensions are in mm unless otherwise specified.

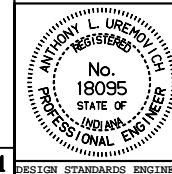
INDIANA DEPARTMENT OF TRANSPORTATION

JANUARY 1999

TYPE I

JANUARY 1999

STANDARD DRAWING NO. 715-GBTO-04



/s/ Anthony L. Uremovich 1-04-99
DESIGN STANDARDS ENGINEER DATE

/s/ Donald W. Lucas 1-04-99
CHIEF HIGHWAY ENGINEER DATE

Source Sheet: GBES 1