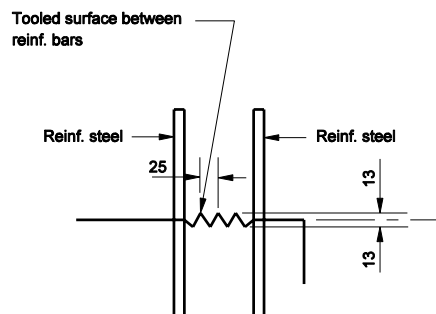
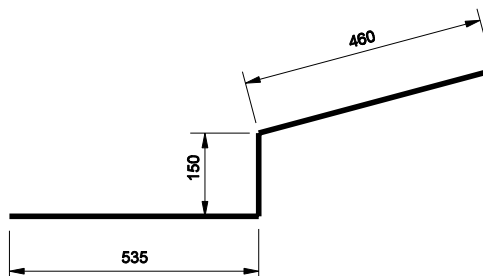


**1601 x 1220**



**TYPE A CONSTRUCTION JOINT**



**1602 x 1145**

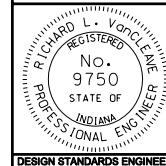
All dimensions are in mm unless otherwise specified

INDIANA DEPARTMENT OF TRANSPORTATION

**GRATED BOX END SECTION  
TYPE I**

MARCH 2006

STANDARD DRAWING NO. 715-GBTO-02



/s/ Richard L. VanCleave 3-01-06  
DESIGN STANDARDS ENGINEER DATE

/s/ Richard K. Smutzer 3-01-06  
CHIEF HIGHWAY ENGINEER DATE

DESIGN STANDARDS ENGINEER