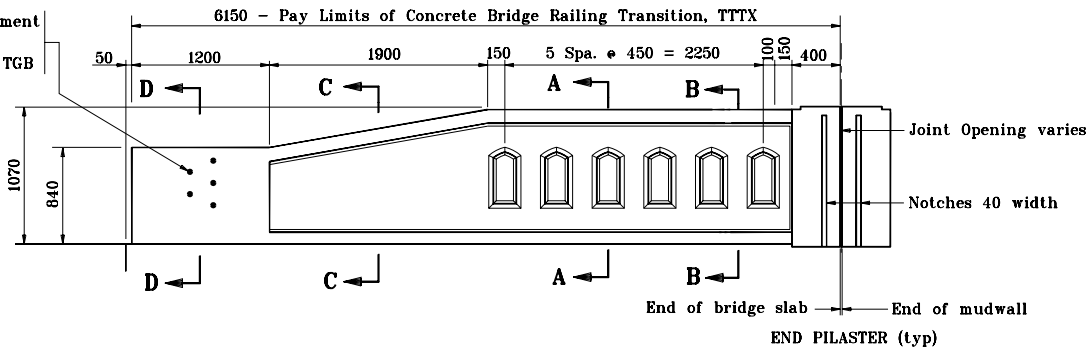


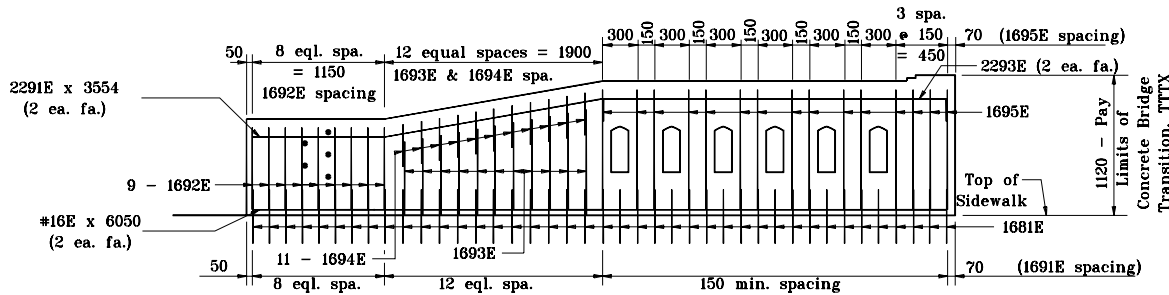
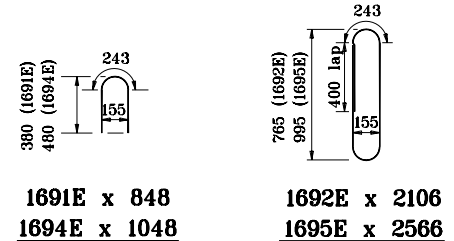
Holes for attachment of Guardrail Transition Type TGB



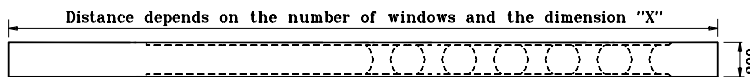
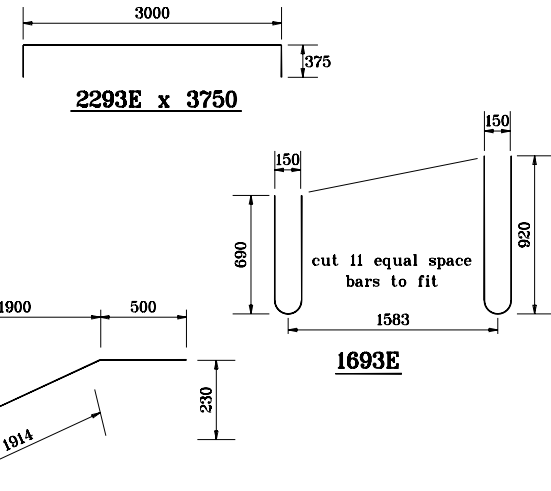
**ELEVATION**

**NOTES**

1. All reinforcing bars designated "E" shall be epoxy coated.
2. See Standard Drawing 706-CBRT-02 for attachment of Guardrail Transition Type TGB.

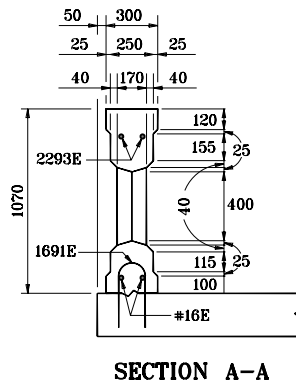
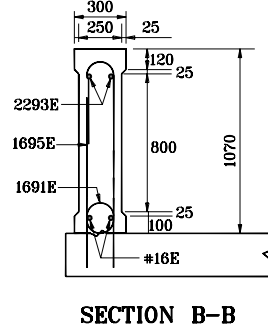
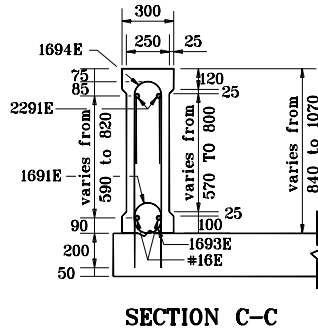
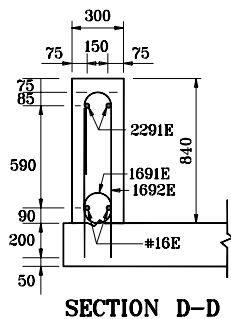


**ELEVATION SHOWING REINFORCING STEEL**



**PLAN**

2291E x 3554



All dimensions are in mm unless otherwise specified.

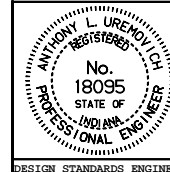
INDIANA DEPARTMENT OF TRANSPORTATION

CONCRETE BRIDGE RAILING

TRANSITION, TTTX

MAY 2000

STANDARD DRAWING NO. 706-TTTX-01



/s/ Anthony L. Uremovich 5-01-00  
DESIGN STANDARDS ENGINEER DATE

/s/ Firooz Zandi 5-01-00  
CHIEF HIGHWAY ENGINEER DATE