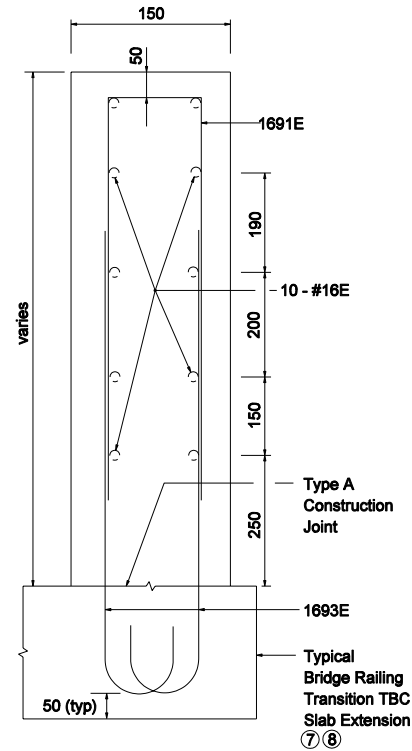
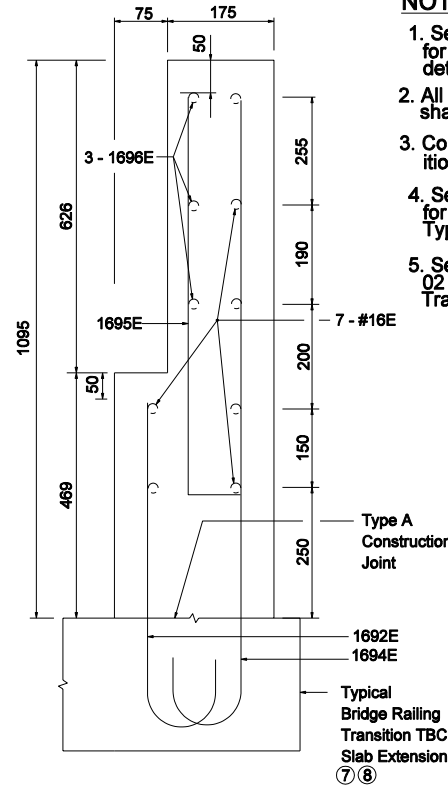


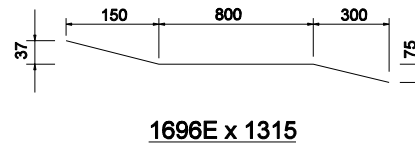
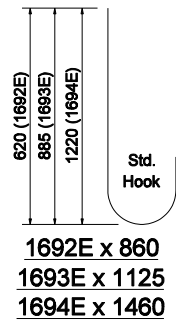
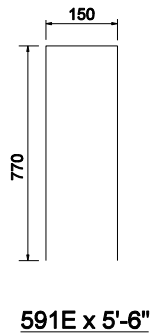
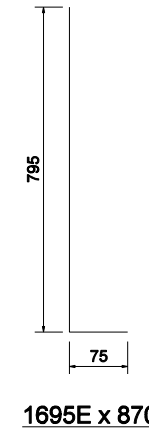
**Section A - A**



**Section B - B**



**Section C - C**



**NOTES:**

1. See Standard Drawing 703-BRST-01 for standard 180° bar bending detail.
2. All reinforcing bars designated "E" shall be epoxy coated.
3. Concrete in bridge railing transition to be class C.
4. See Standard Drawing 706-CBRT-02 for attachment of guardrail Type TGB.
5. See Standard Drawing 706-TASE-01, 02 & 05 for Bridge Railing Transition TBC Slab Extension.

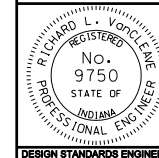
All dimensions are in mm unless otherwise specified

INDIANA DEPARTMENT OF TRANSPORTATION

**CONCRETE BRIDGE RAILING  
TRANSITION, TPF-2**

SEPTEMBER 2006

STANDARD DRAWING NO. 706-TTBP-04



/s/ Richard L. VanCleave 9-01-06  
DESIGN STANDARDS ENGINEER DATE

/s/ Richard K. Smutzer 9-01-06  
CHIEF HIGHWAY ENGINEER DATE

DESIGN STANDARDS ENGINEER