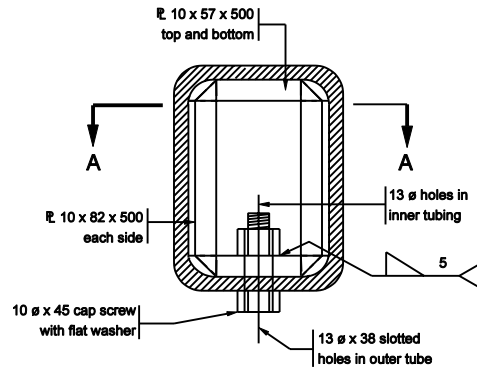
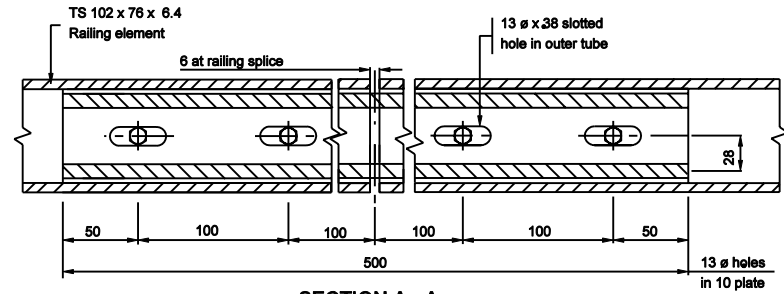


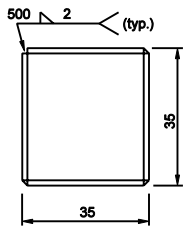
**FINISHED DIMENSIONS
OF INNER SLEEVE FOR
TS 102 x 76 x 6.4**



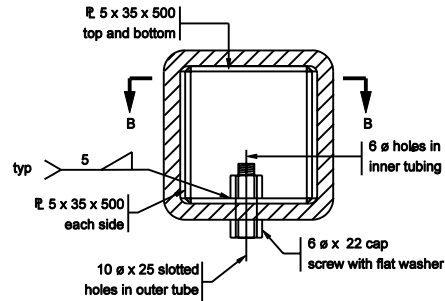
**INNER SLEEVE FOR
TS 102 x 76 x 6.4**



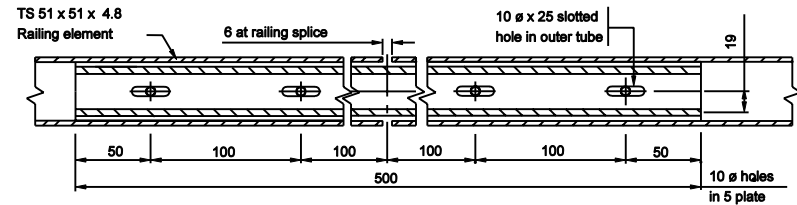
SECTION A - A



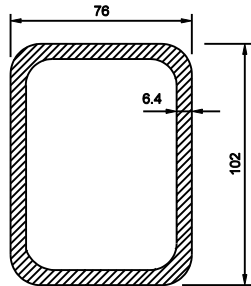
**FINISHED DIMENSIONS
OF INNER SLEEVE FOR
TS 51 x 51 x 4.8**



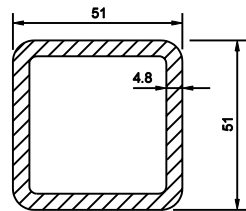
**INNER SLEEVE FOR
TS 51 x 51 x 4.8**



SECTION B - B



TS 102 x 76 x 6.4



TS 51 x 51 x 4.8

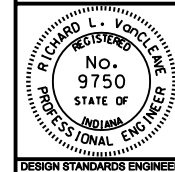
All Dimension are in mm unless otherwise specified

INDIANA DEPARTMENT OF TRANSPORTATION

**RAILING, PF & PS
DETAILS**

SEPTEMBER 2003

STANDARD DRAWING NO. 706-BRPP-05



/s/ Richard L. VanCleave 9-02-03
DESIGN STANDARDS ENGINEER DATE

/s/ Richard K. Smutzer 9-02-03
CHIEF HIGHWAY ENGINEER DATE

DESIGN STANDARDS ENGINEER