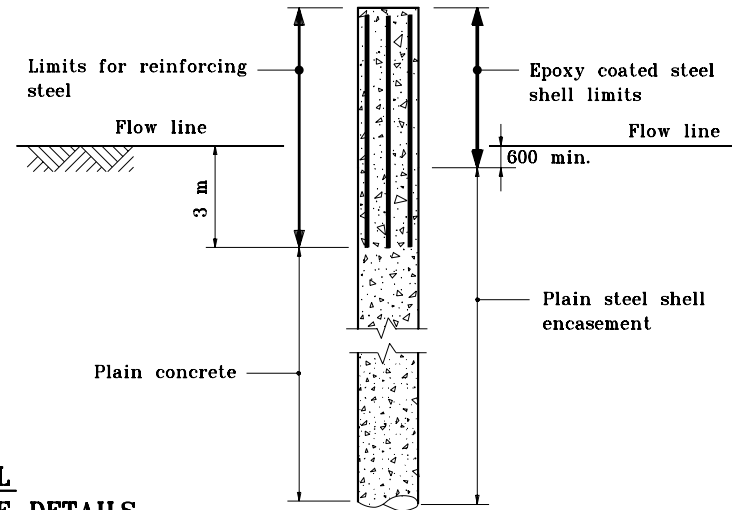
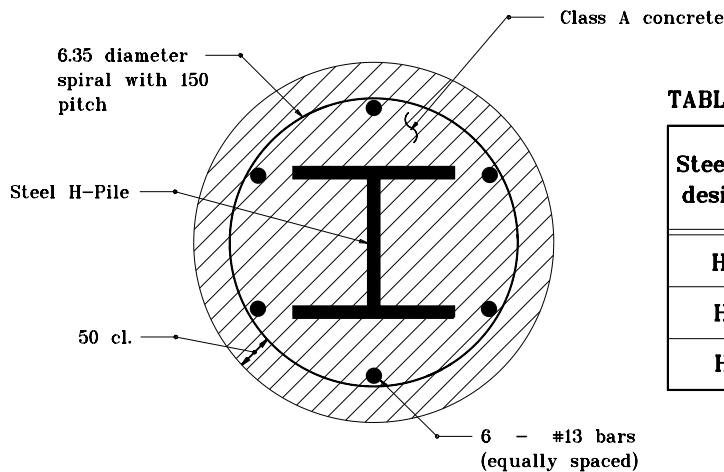


PLAN

**EPOXY COATED STEEL SHELL
ENCASED REINFORCED CONCRETE PILE DETAILS**



SECTION A-A



PLAN

**STEEL H - PILES
REINFORCED CONCRETE ENCASSED DETAIL**

TABLE OF MATERIALS

| Steel H-Pile designation | Minimum pile diameter | Reinforcing steel kg/m | Class A concrete m ³ /m |
|--------------------------|-----------------------|------------------------|------------------------------------|
| HP 360 | 700 | 5.96 | 0.38 |
| HP 310 | 610 | 5.96 | 0.29 |
| HP 250 | 540 | 5.96 | 0.23 |

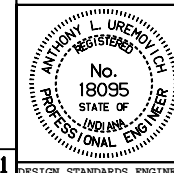
All dimensions are in mm unless otherwise specified.

INDIANA DEPARTMENT OF TRANSPORTATION

**REINFORCED CONCRETE
PILE DETAILS**

MAY 1998

STANDARD DRAWING NO. 701-BPIL-02



/s/ Anthony L. Uremovich 5-01-98
DESIGN STANDARDS ENGINEER DATE

/s/ Donald W. Lucas 5-01-98
CHIEF HIGHWAY ENGINEER DATE