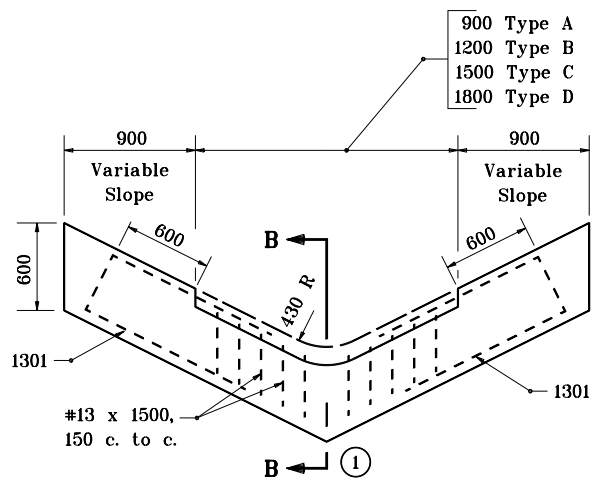


ELEVATION VIEW

CUT-OFF WALL FOR PAVED SIDE DITCH TYPES A THROUGH D



ELEVATION VIEW

LUG FOR PAVED SIDE DITCH TYPES A THROUGH D

GENERAL NOTES

- ① See Standard Drawing 607-PSDT-02 for Sections A-A and B-B.
2. See Standard Drawing 607-PSDT-03 for 1301 bending diagram.

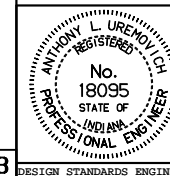
All dimensions are in mm unless otherwise specified.

INDIANA DEPARTMENT OF TRANSPORTATION

**PAVED SIDE DITCH
CUT-OFF WALL AND LUG**

SEPTEMBER 1997

STANDARD DRAWING NO. **607-PSDT-04**



/s/ Anthony L. Uremovich 9-01-97
DESIGN STANDARDS ENGINEER DATE

/s/ Donald W. Lucas 9-01-97
CHIEF HIGHWAY ENGINEER DATE

Source Sheet: **MB**