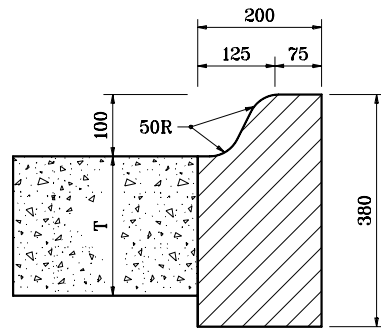
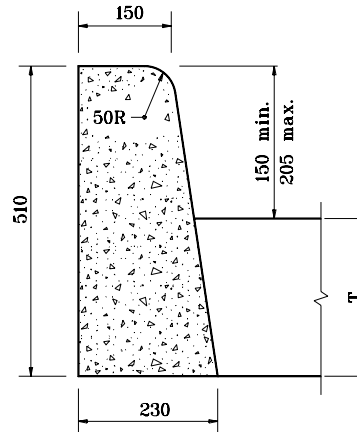


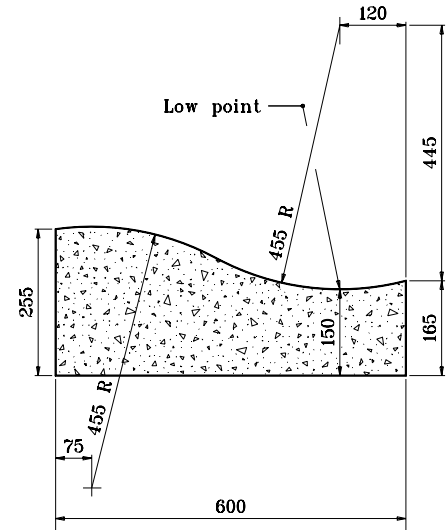
**ASPHALT CURB  
(MOUNTABLE)**



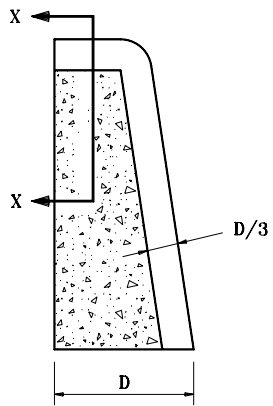
**CONCRETE CURB  
TYPE B  
(MOUNTABLE)**



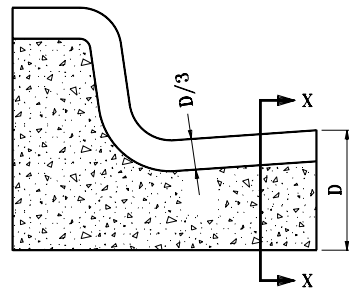
**CONCRETE CURB  
(BARRIER)**



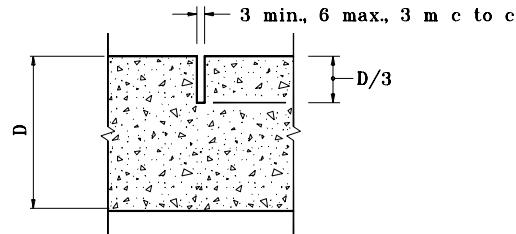
**ROLLED CURB  
(MOUNTABLE)**



**CURB**



**COMBINED CURB & GUTTER**



**SECTION X-X**

**SAWED CONTRACTION JOINTS FOR CURB AND COMBINED CURB & GUTTER**

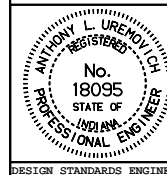
All dimensions are in mm unless otherwise specified.

INDIANA DEPARTMENT OF TRANSPORTATION

**CONCRETE AND ASPHALT  
CURBS AND SAWED JOINTS**

MAY 2000

STANDARD DRAWING NO. **605-CCSJ-01**



*/s/ Anthony L. Uremovich* 5-01-00  
DESIGN STANDARDS ENGINEER DATE

*/s/ Firooz Zandi* 5-01-00  
CHIEF HIGHWAY ENGINEER DATE

DESIGN STANDARDS ENGINEER