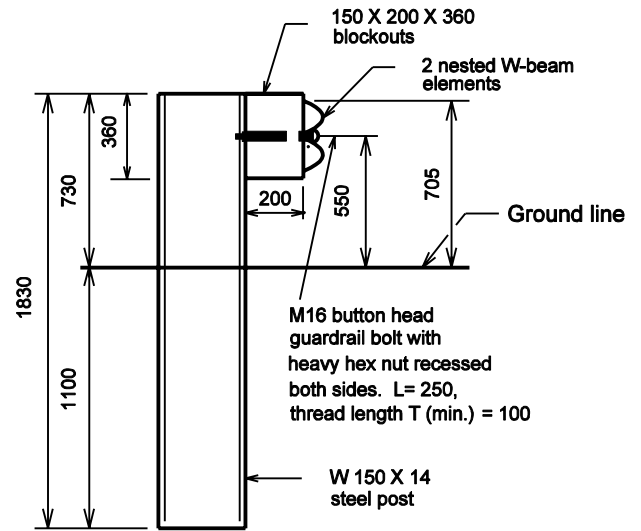


**NESTED GUARDRAIL ASSEMBLY.**  
(Posts 5 to 10)



**STEEL POST AND BLOCK FOR USE WITH NESTED GUARDRAIL ASSEMBLY**  
(Posts 1 to 4 and 11 to 14)

All Dimension are in mm unless otherwise specified

INDIANA DEPARTMENT OF TRANSPORTATION

**NESTED GUARDRAIL ASSY.  
FOR STRUCTURE WIDTH ≤ 7400**

SEPTEMBER 2001

STANDARD DRAWING NO. 601-NWGA-02



/s/ Richard L. VanCleave 9-04-01  
DESIGN STANDARDS ENGINEER DATE

/s/ F. Irwin Zandl 9-04-01  
CHIEF HIGHWAY ENGINEER DATE

DESIGN STANDARDS ENGINEER