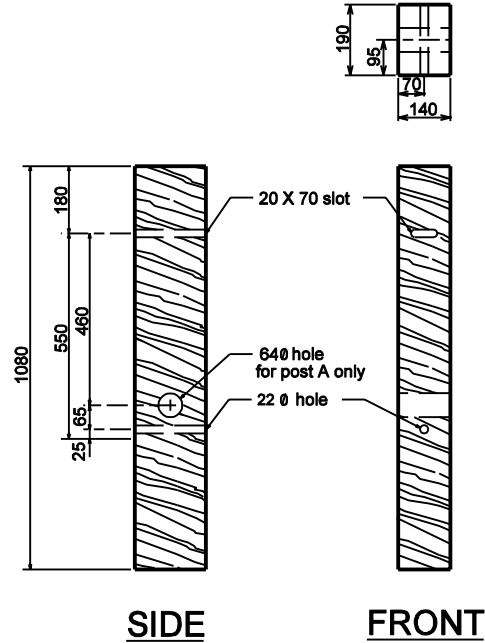


**FRONT**

**SIDE**

**GALVANIZED STEEL  
FOUNDATION TUBE**



**BCT TIMBER POST**

All Dimension are in mm unless otherwise specified

INDIANA DEPARTMENT OF TRANSPORTATION

CABLE TERMINAL  
ANCHOR SYSTEM

SEPTEMBER 2001

STANDARD DRAWING NO. 601-GCTA-03



/s/ Richard L. VarCleave 9-04-01  
DESIGN STANDARDS ENGINEER DATE

/s/ Firouz Zandi 9-04-01  
CHIEF HIGHWAY ENGINEER DATE

DESIGN STANDARDS ENGINEER