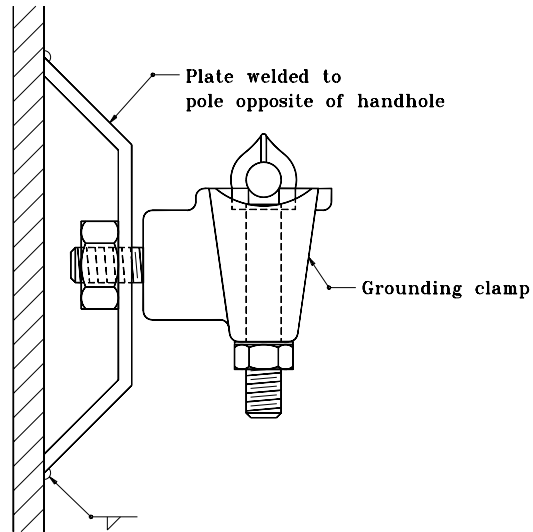
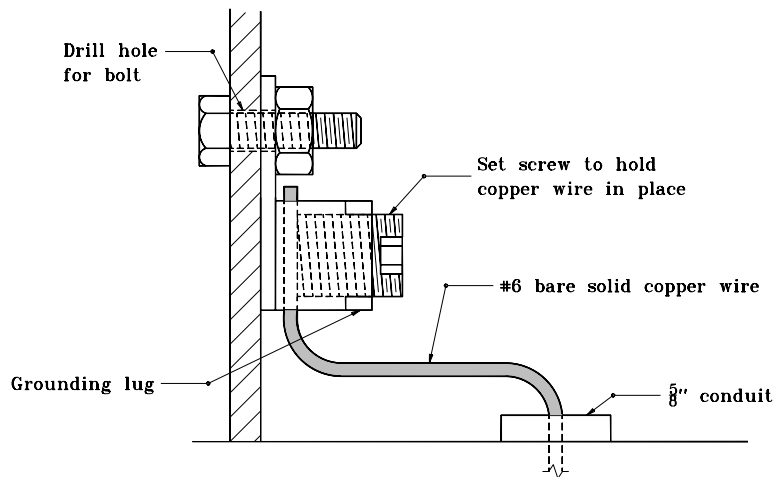


ALUMINUM POLES

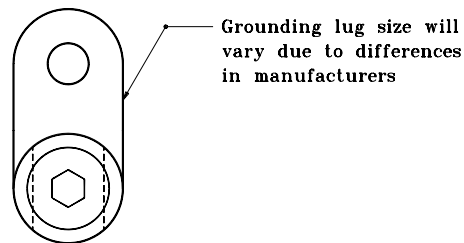


STEEL POLES

GROUNDING POST DETAIL



**GROUNDING LUG DETAIL
(FIELD CONNECTION)**



INDIANA DEPARTMENT OF TRANSPORTATION	
GROUNDING DETAILS	
MARCH 1995	
STANDARD DRAWING NO. E 805-SGGR-03	
	DETAILS PLACED IN THIS FORMAT 11-15-99 /s/ Anthony L. Uremovich 11-15-99 <small>DESIGN STANDARDS ENGINEER DATE</small>
<small>DESIGN STANDARDS ENGINEER</small>	/s/ Firooz Zandi 11-15-99 <small>CHIEF HIGHWAY ENGINEER DATE</small> ORIGINALLY APPROVED 3-01-95