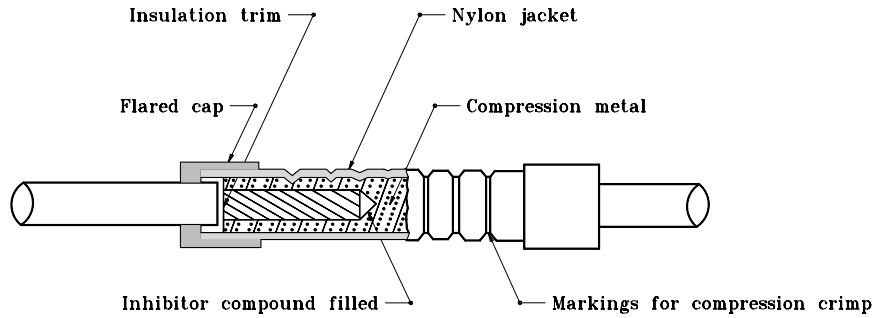
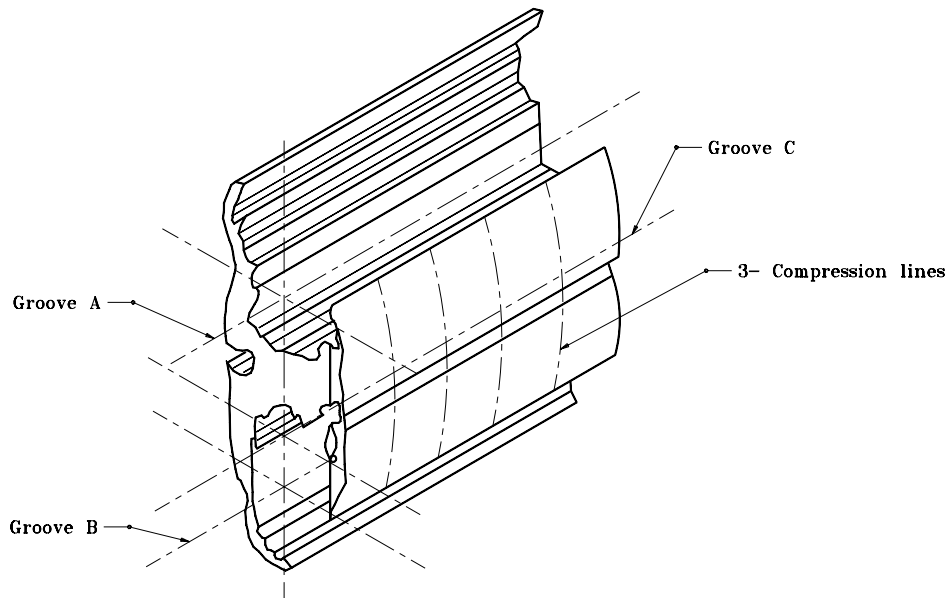


**GENERAL NOTES**

1. Oxidation inhibitor shall be liberally applied to all surfaces that mate with a dissimilar material.
2. Grooves A & B to receive 1 #4 Cu. conductor.
3. Groove C to receive 1 #10 conductor.
4. Use of inhibiting compound is mandatory for all connections.
5. Multiple compression fitting shall be covered with snap-on fiber or plastic covers. Taping shall not be permitted.



**INSULATING LINK DETAIL**



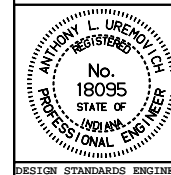
**MULTIPLE COMPRESSION FITTING DETAIL**

INDIANA DEPARTMENT OF TRANSPORTATION

**SIGN WIRING DETAILS**

SEPTEMBER 2001

STANDARD DRAWING NO.E 802-SNWR-04



*/s/ Anthony L. Uremovich* 9-04-01  
 DESIGN STANDARDS ENGINEER DATE

*/s/ Firooz Zandi* 9-04-01  
 CHIEF HIGHWAY ENGINEER DATE

DESIGN STANDARDS ENGINEER