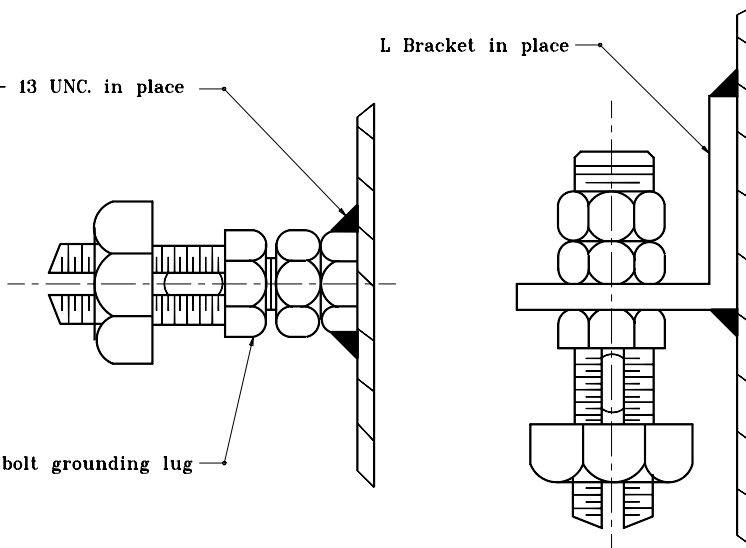


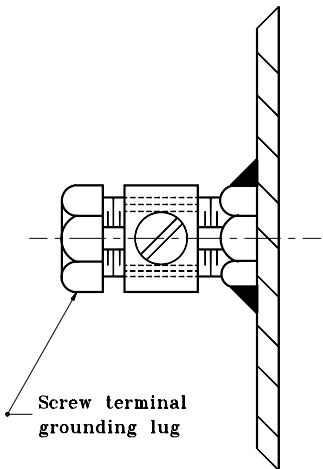
$\frac{1}{2}$ " - 13 UNC. in place

Split bolt grounding lug



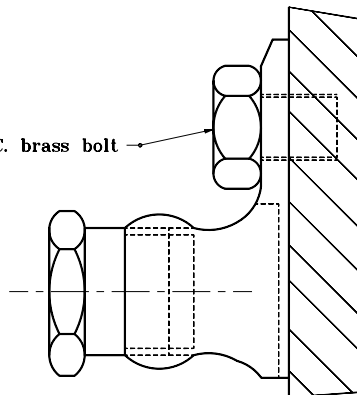
L Bracket in place

GENERAL NOTES
 1. Oxidation inhibitor shall be liberally applied to all surfaces that mate with a dissimilar material.



Screw terminal grounding lug

$\frac{1}{2}$ " - 13 UNC. brass bolt



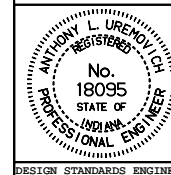
ALTERNATIVE GROUNDING POSTS DETAIL A

INDIANA DEPARTMENT OF TRANSPORTATION

SIGN WIRING DETAILS

SEPTEMBER 2001

STANDARD DRAWING NO. E 802-SNWR-03



/s/ Anthony L. Uremovich 9-04-01
 DESIGN STANDARDS ENGINEER DATE

/s/ Firooz Zandi 9-04-01
 CHIEF HIGHWAY ENGINEER DATE

DESIGN STANDARDS ENGINEER