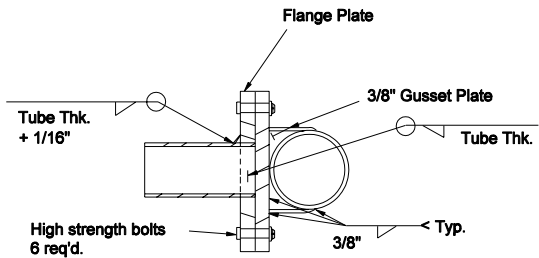
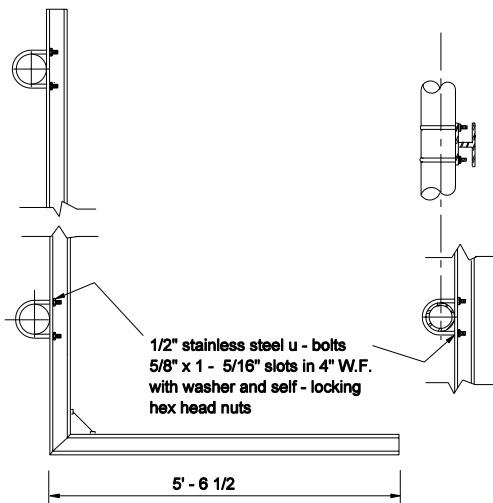


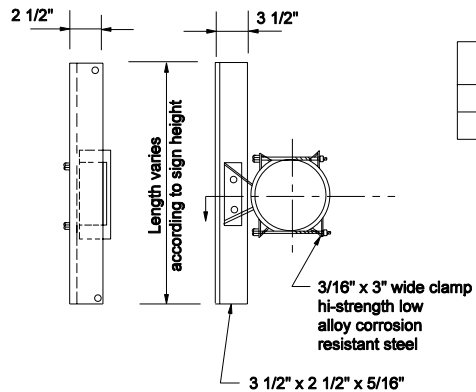
CAMBER FOR CANTILEVER



CANTILEVER ARM ATTACHMENT



WALKWAY SUPPORT BRACKET



**SINGLE MASTARM
SIGN BRACKET ASSEMBLY**

**ARM FLANGE PLATE TIGHTENING
POLE AND ARM PLATE BOLTS TENSION TABLE**

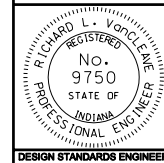
BOLT SIZE (INCH)	TENSION (KIPS)
1.5	59
2	105

INDIANA DEPARTMENT OF TRANSPORTATION

**OVERHEAD CANTILEVER
SIGN DETAILS**

MARCH 2004

STANDARD DRAWING NO. E 802-SNOC-02



/s/ Richard L. VarCleave 3-01-04
DESIGN STANDARDS ENGINEER DATE

/s/ Richard K. Smutzer 3-01-04
CHIEF HIGHWAY ENGINEER DATE

DESIGN STANDARDS ENGINEER