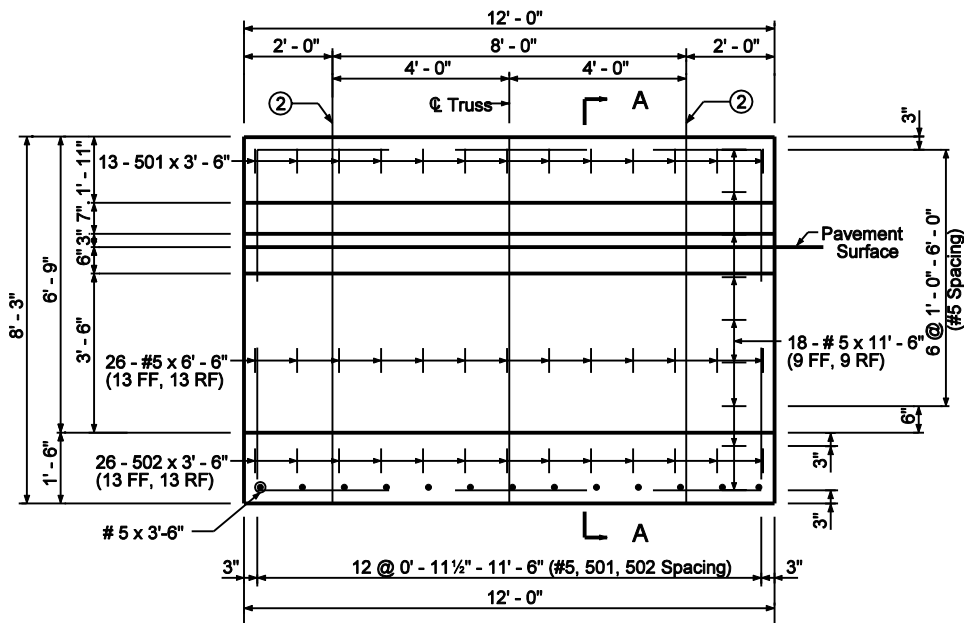
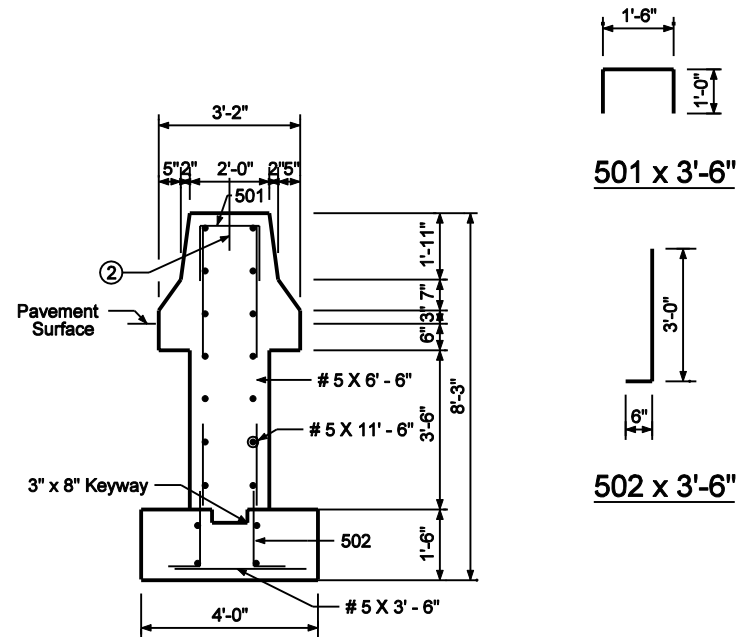


PLAN



ELEVATION



SECTION A-A

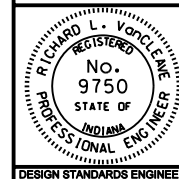
Notes:

1. For barrier wall width transition see Standard Drawing E 602-CCMB-03.

② CL Anchor Bolt.

INDIANA DEPARTMENT OF TRANSPORTATION
BOX TRUSS SIGN FOUNDATION
FOR 33" CONC. BARRIER WALL
TYPE VI - A
MARCH 2003

STANDARD DRAWING NO. E 802-SNBF-05



/s/ Richard L. VanCleave 3-03-03
 DESIGN STANDARDS ENGINEER DATE

/s/ Richard K. Smutzer 3-03-03
 CHIEF HIGHWAY ENGINEER DATE

DESIGN STANDARDS ENGINEER