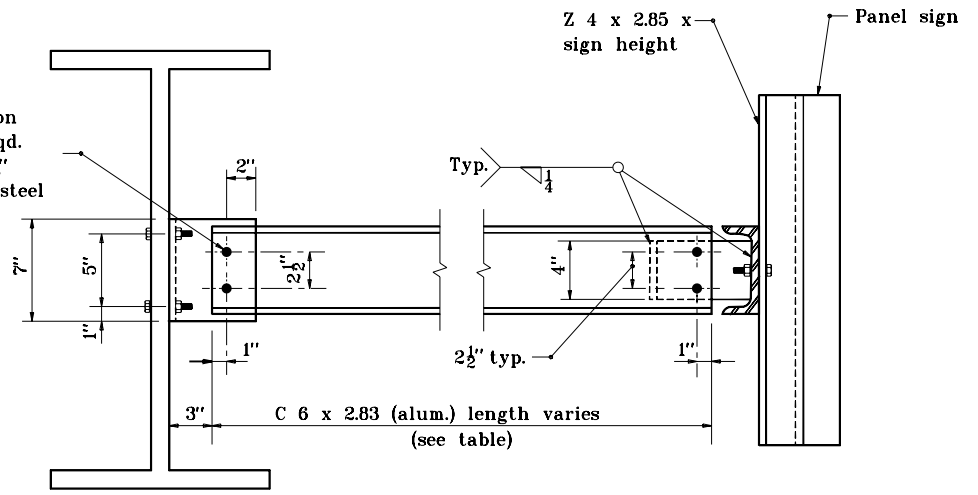
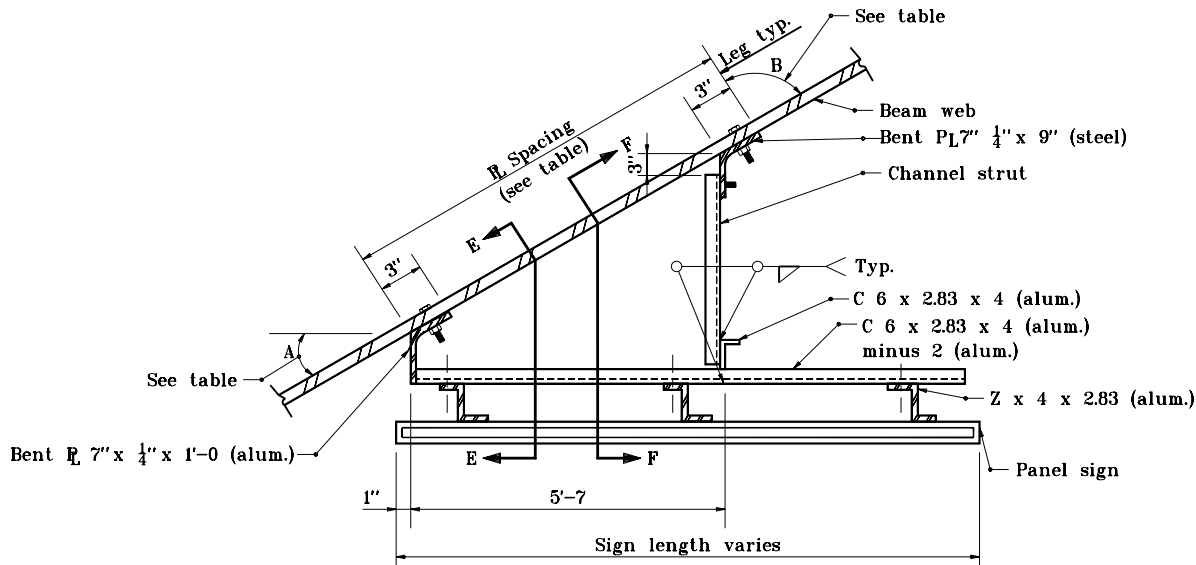


SECTION E-E



SECTION F-F



PLAN (TYPE B)

10°, 20°, 30°, & 40° Connections

INDIANA DEPARTMENT OF TRANSPORTATION	
BRIDGE BRACKET ASSY. FOR CROSSROAD SIGNING	
SEPTEMBER 2001	
STANDARD DRAWING NO. E 802-SNBB-04	
	/s/ Anthony L. Uremovich 9-04-01 DESIGN STANDARDS ENGINEER DATE
	/s/ Firooz Zandi 9-04-01 CHIEF HIGHWAY ENGINEER DATE
DESIGN STANDARDS ENGINEER	